

PRGE14

PRODUCT SPECIFICATIONS

14 SEER GAS ELECTRIC PACKAGED UNIT

FORM NO. PRGE14-100 (01/2017)

REFRIGERANT SYSTEM

- Environmentally friendly R410A refrigerant
- Copper tubing with enhanced fin coils
- Internal service gauge ports

HEAT EXCHANGER

- L models comply with California Energy Commission Low NOx regulations
- Aluminized Tri-Dimple tubular heat exchanger for increased efficiency
- Pest protected flue outlet

CABINET CONSTRUCTION

- Rounded corners for safety and an attractive, clean appearance
- One piece base design for strength and stability
- Drain ports for condensate management and coil runoff
- Low profile, with compact footprint
- Insulation to minimize heat loss plus reduce sound
- Textured pre-painted steel cabinet finish
- Superior service access to components
- One piece “no leak” top design

BLOWER

- Insulated compartment to reduce sound
- Efficient multispeed motor for wide airflow range
- Slide out blower housing for easy service

CONTROLS

- Solid state integrated blower control board with L.E.D. self diagnostics
- Direct spark ignition
- Color coded wiring for easy service

INSTALLATION

- Horizontal or down discharge capable
- Utility connections on “right side”
- Tabbed duct flanges for simple duct connection

ACCESSORIES

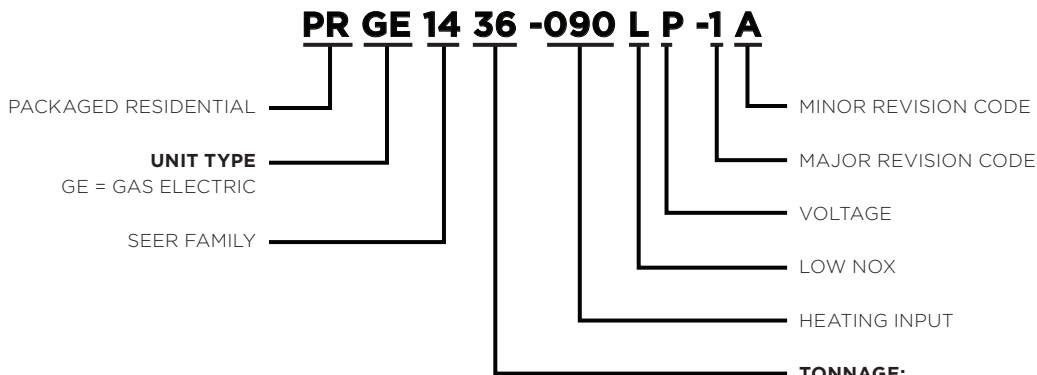
- Hinged roofcurb
- Lifting brackets
- LP Gas Conversion
- Internal Filter Kits

WARRANTY

10 year limited parts and compressor warranty/lifetime heat exchanger warranty available. See limited warranty document for details.



MODEL NUMBER GUIDE



ELECTRICAL AND PHYSICAL DATA

24, 30, 36, 42, 48, 60

| Model | Voltage | Phase | Hz | Min Volts @ 60 hz | MCA | Max Fuse/HACR Breaker | Compressor | | Condenser Motor | | Blower Motor | | Refrig. Charge (oz.) | Weight (lbs.) |
|------------------|---------|-------|----|-------------------|------|-----------------------|------------|-------|-----------------|-----|--------------|-----|----------------------|---------------|
| | | | | | | | RLA | LRA | RLA | HP | RLA | HP | | |
| PRGE1424-054(L)P | 208-230 | 1 | 60 | 197 | 16.7 | 25 | 11.2 | 60.8 | 1.0 | 1/6 | 1.7 | 1/4 | 70 | 334 |
| PRGE1424-072(L)P | | | | | | | 340 | | | | | | | |
| PRGE1430-054(L)P | | | | | 18.7 | 30 | 12.8 | 64 | 77 | 346 | | | | |
| PRGE1430-072(L)P | | | | | | | 352 | | | | | | | |
| PRGE1436-054(L)P | | | | | 20.6 | 40 | 14.1 | 72.2 | 84 | 2 | 1/3 | 79 | 359 | |
| PRGE1436-072(L)P | | | | | | | 365 | | | | | | | |
| PRGE1436-090(L)P | | | | | 371 | | | | | | | | | |
| PRGE1442-072(L)P | | | | | 24.4 | 60 | 15.9 | 85 | 84 | 2.8 | 1/3 | 84 | 432 | |
| PRGE1442-090(L)P | | | | | | | 438 | | | | | | | |
| PRGE1448-108(L)P | | | | | 26.9 | 60 | 17.9 | 96 | 82 | 2.8 | 1/2 | 82 | 448 | |
| PRGE1448-126(L)P | | | | | | | 454 | | | | | | | |
| PRGE1460-108(L)P | | | | | 38.9 | 60 | 23.7 | 152.5 | 125 | 7.6 | 1.0 | 125 | 485 | |
| PRGE1460-126(L)P | | | | | | | 491 | | | | | | | |

PERFORMANCE

| MODEL | COOLING | | | | | HEATING | | | | Sound dBA |
|------------------|--------------------------|------|------|------------------------------|-------|------------|-------------|-----------------|-------------------|-----------|
| | Rated AHRI Capacity Btuh | SEER | EER | Rated Sensible Capacity Btuh | CFM | Input BTUH | Output BTUH | Efficiency AFUE | Temp Rise Range F | |
| PRGE1424-054(L)P | 22,600 | 14.0 | 11.0 | 16,500 | 800 | 54,000 | 43,800 | 81% | 30-60 | 78 |
| PRGE1424-072(L)P | | | | | | 72,000 | 58,400 | | 40-70 | |
| PRGE1430-054(L)P | 28,400 | | | 20,700 | 1000 | 54,000 | 43,800 | | 30-60 | |
| PRGE1430-072(L)P | | | | | | 72,000 | 58,400 | | 40-70 | |
| PRGE1436-054(L)P | 34,000 | | | 25,800 | 1200 | 54,000 | 43,800 | | 30-60 | |
| PRGE1436-072(L)P | | | | | | 72,000 | 58,400 | | 35-65 | |
| PRGE1436-090(L)P | 90,000 | | | 72,900 | 40-70 | | | | | |
| PRGE1442-072(L)P | 40,000 | | | 30,000 | 1400 | 72,000 | 58,400 | | 30-60 | |
| PRGE1442-090(L)P | | | | | | 90,000 | 72,900 | | 40-70 | |
| PRGE1448-108(L)P | 46,000 | | | 35,000 | 1600 | 108,000 | 87,500 | | 40-70 | |
| PRGE1448-126(L)P | | | | | | 126,000 | 102,100 | | 45-75 | |
| PRGE1460-108(L)P | 57,000 | | | 41,600 | 1800 | 108,000 | 87,500 | | 40-70 | |
| PRGE1460-126(L)P | | | | | | 126,000 | 102,100 | | 45-75 | |

*Certified in accordance with Unitary Air Conditioner Certification Program, which is based on AHRI Standard 210/240

BLOWER PERFORMANCE

| Model | Blower Tap | CFM @ ext. Static Pressure in in. wc without filter, dry coil | | | | | | | |
|----------------------|------------|---------------------------------------------------------------|------|------|------|------|------|------|------|
| | | 0.1 | 0.2 | 0.3 | 0.4 | 0.5 | 0.6 | 0.7 | 0.8 |
| PRGE1424 PRGE1430 | 2 | 1350 | 1310 | 1270 | 1210 | 1140 | 1080 | 1020 | 950 |
| | 3 | 1110 | 1080 | 1050 | 1000 | 970 | 920 | 870 | 800 |
| | 4 | 970 | 950 | 920 | 890 | 850 | 820 | 770 | 710 |
| | 5 | 840 | 820 | 800 | 770 | 750 | 720 | 680 | 620 |
| PRGE1436 | 2 | 1460 | 1380 | 1280 | 1190 | 1100 | 990 | 880 | 760 |
| | 3 | 1350 | 1280 | 1200 | 1130 | 1060 | 950 | 870 | 750 |
| | 4 | 1080 | 1030 | 960 | 900 | 830 | 750 | 700 | 650 |
| PRGE1442 | 2 | 1790 | 1740 | 1670 | 1590 | 1510 | 1410 | 1310 | 1210 |
| | 3 | 1500 | 1470 | 1430 | 1370 | 1310 | 1240 | 1140 | 1010 |
| | 4 | 1070 | 1050 | 1010 | 980 | 920 | 870 | 820 | 690 |
| PRGE1448 | 2 | 1970 | 1890 | 1790 | 1690 | 1600 | 1510 | 1400 | 1280 |
| | 3 | 1730 | 1690 | 1600 | 1540 | 1450 | 1360 | 1270 | 1150 |
| | 4 | 1520 | 1480 | 1430 | 1370 | 1310 | 1230 | 1140 | 1050 |
| PRGE1460* | 1 | 2240 | 2200 | 2140 | 2100 | 2060 | 2020 | 1980 | 1950 |
| | 2 | 1920 | 1870 | 1820 | 1770 | 1720 | 1670 | 1450 | 1360 |
| | 3 | 1400 | 1320 | 1260 | 1200 | 1120 | 1060 | 980 | 900 |

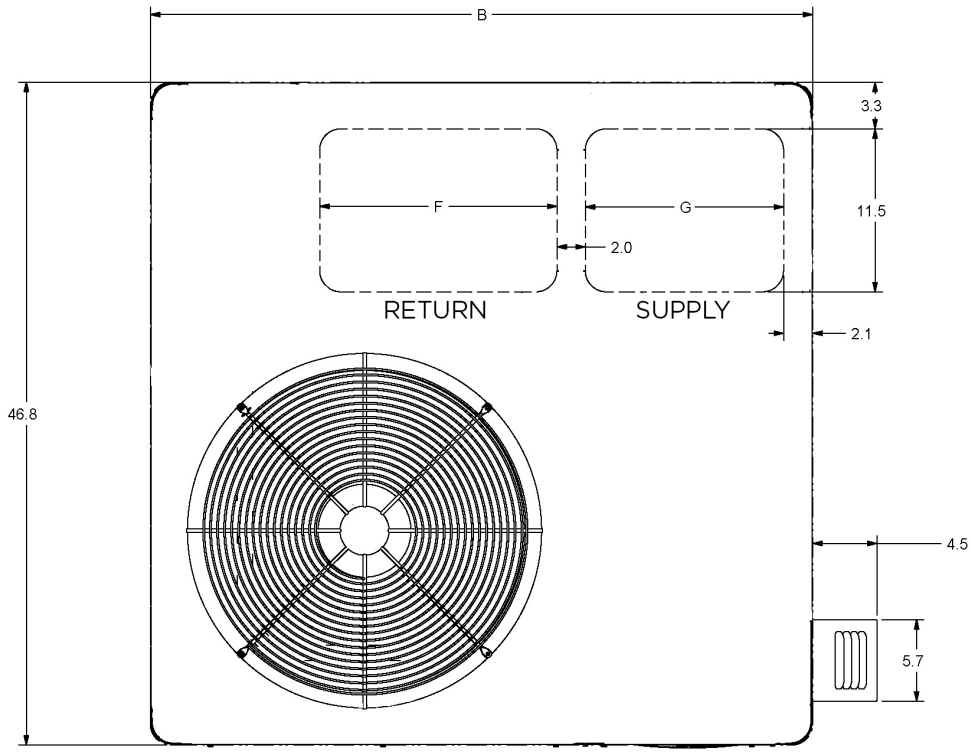
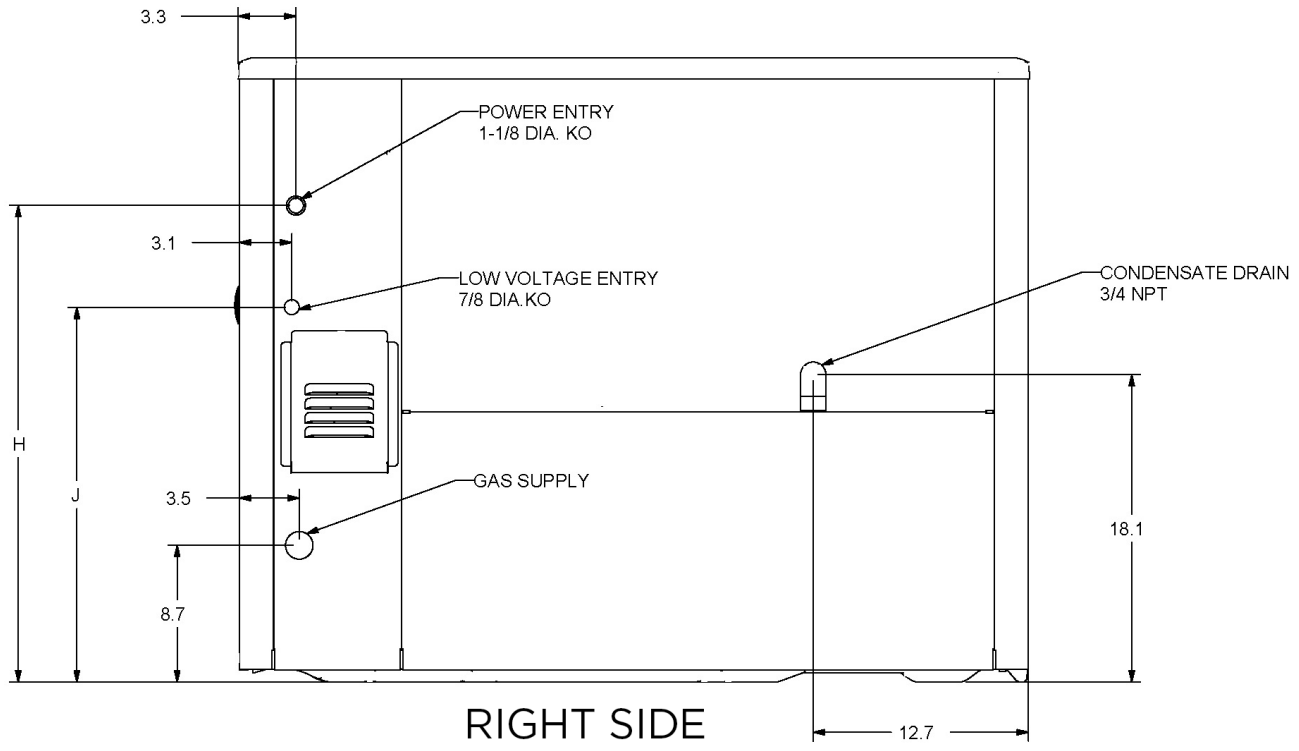
* TAPs 4 & 5 are for Furnace mid point rise.

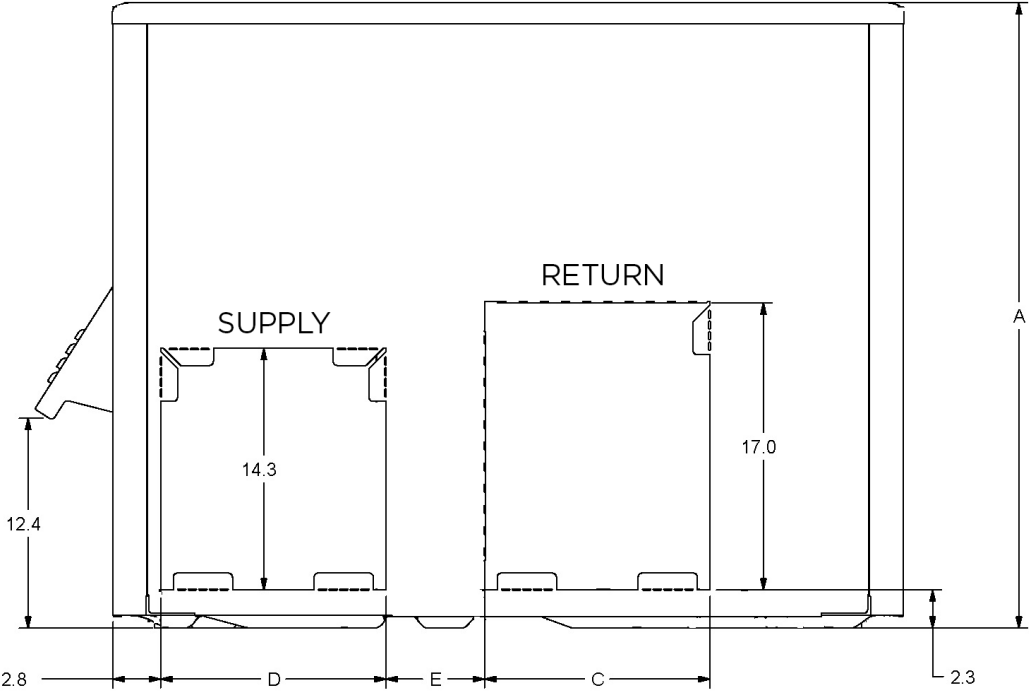
COOLING PERFORMANCE - EXTENDED RATINGS

| Outdoor Model | Indoor Temp DB/ WB °F | Outdoor Temperature - DB °F | | | | | | | | | | | | | | |
|---------------|-----------------------|-----------------------------|------|------|--------|------|------|--------|------|------|--------|------|------|--------|------|------|
| | | 65° | | | 82° | | | 95° | | | 105° | | | 115° | | |
| | | Btuh | S/T | kW | Btuh | S/T | kW | Btuh | S/T | kW | Btuh | S/T | kW | Btuh | S/T | kW |
| PRGE1424 | 85/72 | 31,700 | 0.62 | 1.45 | 29,100 | 0.63 | 1.73 | 27,100 | 0.64 | 1.95 | 25,000 | 0.71 | 2.13 | 22,900 | 0.78 | 2.31 |
| | 80/67 | 28,600 | 0.68 | 1.45 | 25,700 | 0.71 | 1.72 | 23,600 | 0.73 | 1.98 | 22,200 | 0.78 | 2.15 | 20,900 | 0.84 | 2.33 |
| | 75/63 | 26,100 | 0.70 | 1.46 | 24,000 | 0.72 | 1.75 | 22,300 | 0.75 | 1.96 | 20,800 | 0.81 | 2.15 | 19,400 | 0.87 | 2.34 |
| | 75/57 | 22,400 | 1.00 | 1.46 | 20,800 | 1.00 | 1.75 | 19,600 | 1.00 | 1.98 | 19,100 | 1.00 | 2.16 | 18,700 | 1.00 | 2.35 |
| PRGE1430 | 85/72 | 36,800 | 0.64 | 1.80 | 34,200 | 0.65 | 2.11 | 32,200 | 0.66 | 2.35 | 29,800 | 0.72 | 2.61 | 27,300 | 0.77 | 2.87 |
| | 80/67 | 33,100 | 0.72 | 1.78 | 31,400 | 0.72 | 2.07 | 28,900 | 0.73 | 2.34 | 26,900 | 0.78 | 2.60 | 24,800 | 0.84 | 2.87 |
| | 75/63 | 30,000 | 0.76 | 1.78 | 28,200 | 0.75 | 2.09 | 26,800 | 0.75 | 2.34 | 25,100 | 0.81 | 2.61 | 23,300 | 0.88 | 2.88 |
| | 75/57 | 27,500 | 1.00 | 1.79 | 25,000 | 1.00 | 2.11 | 23,200 | 1.00 | 2.35 | 22,900 | 1.00 | 2.61 | 22,600 | 1.00 | 2.87 |
| PRGE1436 | 85/72 | 45,000 | 0.68 | 2.20 | 41,300 | 0.67 | 2.58 | 38,400 | 0.67 | 2.87 | 36,100 | 0.71 | 3.19 | 33,700 | 0.76 | 3.50 |
| | 80/67 | 41,200 | 0.73 | 2.20 | 37,400 | 0.73 | 2.53 | 34,500 | 0.76 | 2.86 | 32,800 | 0.79 | 3.18 | 31,100 | 0.82 | 3.50 |
| | 75/63 | 38,500 | 0.75 | 2.19 | 35,300 | 0.78 | 2.58 | 32,900 | 0.80 | 2.87 | 31,000 | 0.83 | 3.18 | 29,100 | 0.85 | 3.49 |
| | 75/57 | 35,500 | 1.00 | 2.19 | 33,000 | 1.00 | 2.57 | 31,000 | 1.00 | 2.87 | 29,500 | 1.00 | 3.18 | 27,900 | 1.00 | 3.49 |
| PRGE1442 | 85/72 | 53,600 | 0.63 | 2.66 | 50,200 | 0.65 | 3.14 | 47,600 | 0.67 | 3.51 | 43,600 | 0.73 | 3.84 | 39,500 | 0.79 | 4.18 |
| | 80/67 | 50,200 | 0.69 | 2.65 | 46,000 | 0.73 | 3.08 | 42,700 | 0.75 | 3.50 | 39,500 | 0.81 | 3.84 | 36,300 | 0.87 | 4.19 |
| | 75/63 | 47,200 | 0.73 | 2.64 | 42,800 | 0.76 | 3.10 | 39,500 | 0.79 | 3.45 | 36,600 | 0.84 | 3.82 | 33,800 | 0.89 | 4.20 |
| | 75/57 | 42,800 | 1.00 | 2.63 | 38,500 | 1.00 | 3.09 | 35,300 | 1.00 | 3.44 | 34,000 | 1.00 | 3.82 | 32,700 | 1.00 | 4.20 |
| PRGE1448 | 85/72 | 64,900 | 0.63 | 3.15 | 58,200 | 0.66 | 3.63 | 53,100 | 0.69 | 3.99 | 48,600 | 0.74 | 4.38 | 44,100 | 0.78 | 4.76 |
| | 80/67 | 59,200 | 0.71 | 3.04 | 52,300 | 0.73 | 3.52 | 47,500 | 0.76 | 3.97 | 44,100 | 0.81 | 4.36 | 40,800 | 0.87 | 4.76 |
| | 75/63 | 53,200 | 0.74 | 3.02 | 47,400 | 0.78 | 3.51 | 42,900 | 0.81 | 3.89 | 40,500 | 0.85 | 4.32 | 38,000 | 0.89 | 4.75 |
| | 75/57 | 46,500 | 1.00 | 2.99 | 42,100 | 1.00 | 3.49 | 38,700 | 1.00 | 3.87 | 37,800 | 1.00 | 4.31 | 36,800 | 1.00 | 4.75 |
| PRGE1460 | 85/72 | 70,300 | 0.63 | 3.50 | 66,100 | 0.64 | 4.19 | 62,800 | 0.65 | 4.72 | 59,100 | 0.70 | 5.27 | 55,500 | 0.76 | 5.82 |
| | 80/67 | 65,700 | 0.69 | 3.47 | 61,000 | 0.71 | 4.08 | 57,400 | 0.73 | 4.69 | 54,300 | 0.78 | 5.24 | 51,200 | 0.83 | 5.78 |
| | 75/63 | 61,400 | 0.72 | 3.45 | 56,300 | 0.74 | 4.12 | 52,300 | 0.76 | 4.63 | 50,200 | 0.80 | 5.19 | 48,000 | 0.85 | 5.75 |
| | 75/57 | 54,500 | 1.00 | 3.42 | 50,100 | 1.00 | 4.09 | 46,700 | 1.00 | 4.61 | 46,300 | 1.00 | 5.17 | 45,900 | 1.00 | 5.73 |

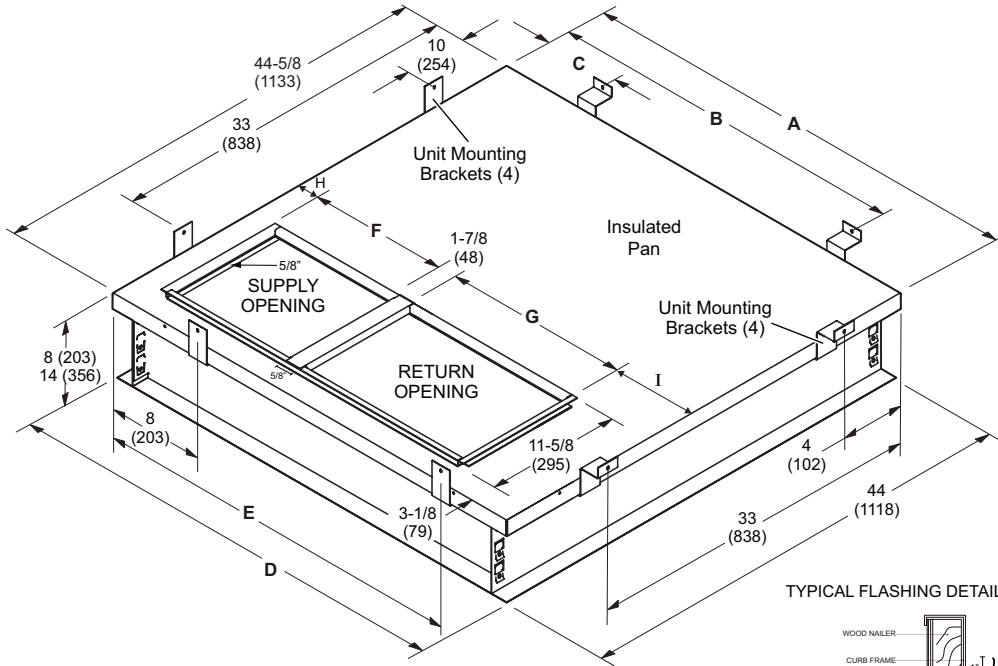
DIMENSIONS (IN.)

| Model | A | B | C | D | E | F | G | H | J |
|-----------|-------|-------|-------|-------|------|-------|------|-------|-------|
| PRPGE1424 | 36.82 | 46.77 | 13.33 | 13.31 | 5.86 | 16.75 | 14 | 28.14 | 22.14 |
| PRPGE1430 | | | | | | | | | |
| PRPGE1436 | | | | | | | | | |
| PRPGE1442 | 40.88 | 55.27 | 18.14 | 18.14 | 4.67 | 19.75 | 19.5 | 32.14 | 26.14 |
| PRPGE1448 | | | | | | | | | |
| PRPGE1460 | | | | | | | | | |



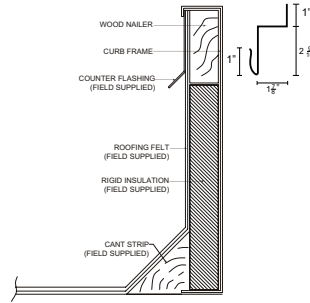


ROOF CURB DIMENSIONS



NOTE - Roof deck may be omitted within confines of curb.

TYPICAL FLASHING DETAIL



| Usage | A | | B | | C | | D | | E | |
|--------|--------|------|-------|------|-----|-----|--------|------|-----|------|
| | in. | mm | in. | mm | in. | mm | in. | mm | in. | mm |
| 24, 36 | 44-5/8 | 1133 | 43 | 1092 | 18 | 457 | 44 | 1118 | 37 | 940 |
| 48, 60 | 53-1/8 | 1349 | 51 | 1295 | 24 | 610 | 52-1/2 | 1334 | 41 | 1041 |
| Usage | F | | G | | H | | I | | | |
| | in. | mm | in. | mm | in. | mm | in. | mm | | |
| 24, 36 | 16.75 | 356 | 14.00 | 425 | 2 | 51 | 9-3/4 | 248 | | |
| 48, 60 | 19.75 | 495 | 19.50 | 502 | 2 | 51 | 10 | 254 | | |

ACCESSORIES

| Description | Where Used | Kit Number |
|------------------------------------------------------------|---------------|------------|
| Compressor Crankcase Heater | All | 11X27 |
| Compressor Hard Start Kit | 24, 30, 36,60 | 10J42 |
| Compressor Hard Start Kit | 42,48 | 88M91 |
| Compressor Timed-Off Control | All | 47J27 |
| Down Flow Conversion - ACONVR836 | 24, 30, 36 | 1.851401 |
| Down Flow Conversion - ACONVR837 | 42,48,60 | 1.851402 |
| Drain pan overflow switch | All | 11U75 |
| Filter Rack Kit | 24, 30, 36 | 11U73 |
| Filter Rack Kit | 42,48,60 | 11U74 |
| Lifting Brackets | All | 11U76 |
| LPG/Propane Conversion Kit | All | 11U77 |
| Roof Curb | 24, 30, 36 | 11U78 |
| Roof Curb | 42,48,60 | 11U79 |
| Sideflow Rect. to 14" Rounds Duct Adapter (Qty 25 sets) | 24, 30, 36 | R104617-01 |
| | 42, 48, 60 | R104618-01 |
| 8" Height Full Perimeter Curb | 24, 30, 36 | 14W71 |
| 8" Height Full Perimeter Curb | 42, 48, 60 | 14W72 |
| 14" Height Full Perimeter Curb | 24, 30, 36 | 14V68 |
| 14" Height Full Perimeter Curb | 42, 48, 60 | 14V69 |



1-800-448-5872

All specifications and illustrations subject to change without notice and without incurring obligations.