

2AC13 Features and Benefits

- Durable compressors with internal pressure relief valves and inherent thermal protection
- High-quality condenser coil with copper tubing and enhanced louvered fin for maximum heat transfer capacity
- Top discharge directs hot air and sound away from living area and shrubbery
- All units are factory run tested
- Available with louvered panel or wire guard coil protection option
- Easy access to electrical panels, pre-wired for easy hook-up
- Hinged control panel allows simple access to internal components
- 45-degree service valves for easy hook-up and service
- Liquid line filter drier installed in every unit
- All units ETL, ETLIC approved and ARI listed
- Charged for 15 feet of interconnecting tubing
- Select models meet 76dBA and include compressor sound blanket
- Warranties:
10 year limited parts warranty available (5 year compressor). See limited warranty for details.

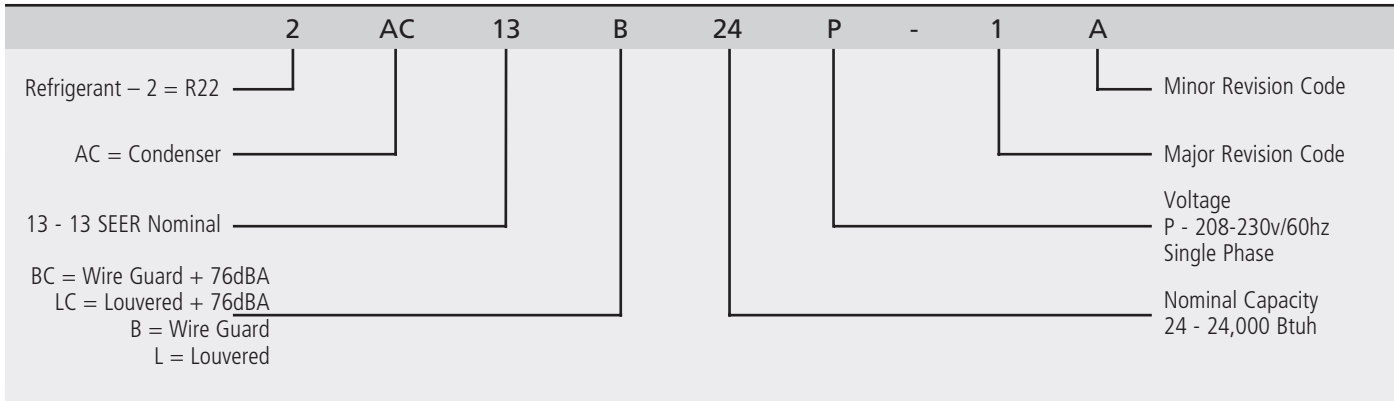


L & LC Models



B & BC Models

Model Number Guide



Electrical and Physical Data

Model	Voltage/ Hz/ Phase	Voltage Range	Min. Circuit Amp.	Maximum Over Current Device (amps)	Compressor		Fan Motor			Refrig. Charge (oz.)*	Weight (lbs.) Wire Guard/ Louvered
					Rated Load (Amps)	Locked Rotor (Amps)	Full Load Amps	Rated HP	Nom. RPM		
2AC13**18P	208-230/60/1	197 - 253	8.5	15	6.9	35	0.7	1/10	1075	84	128/138
2AC13**24P	208-230/60/1	197 - 253	12.2	20	11.3	51	0.7	1/10	1075	89	130/140
2AC13**30P	208-230/60/1	197 - 253	14.2	20	12.0	60	0.7	1/10	1075	97	166/179
2AC13**36P	208-230/60/1	197 - 253	15.0	25	16.2	82	0.7	1/10	1075	128	172/187
2AC13*42P	208-230/60/1	197 - 253	18.4	30	13.1	78	1.1	1/5	1075	122	186/210
2AC13*48P	208-230/60/1	197 - 253	22.4	35	15.4	86	1.1	1/5	1075	132	212/229
2AC13*60P	208-230/60/1	197 - 253	25.5	40	18.5	102	1.1	1/5	1075	188	226/245

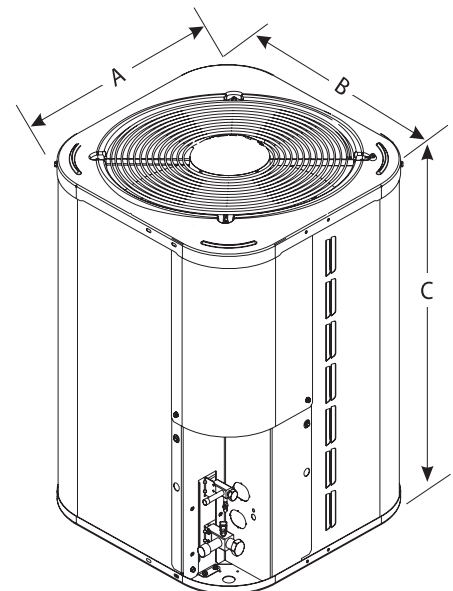
** = B, L, BC, LC
* = B, L

* Factory charged for 15 feet of line set. Adjust per Installation Instructions

Dimensions (in.) and Sound Ratings

Model	Dimensions			B, L Sound Rating (dBa)	BC, LC Sound Rating (dBa)
	A - width (in.)	B - depth (in.)	C - height (in.)		
2AC13**18P	22 1/2	22 1/2	25	77	75
2AC13**24P	22 1/2	22 1/2	29	77	75
2AC13**30P	30	30	29	80	76
2AC13**36P	30	30	33	80	76
2AC13*42P	30	30	37.5	78	---
2AC13*48P	30	30	29.5	80	---
2AC13*60P	30	30	33.5	80	---

** = B, L, BC, LC
* = B, L



Cooling Performance with Evaporator Coils

Outdoor Model	Indoor Model		SEER	EER	Rated ARI Capacity ¹	Rated Sensible Capacity	CFM	Refrigerant Connection				Refrigerant Line Size		Indoor Metering Device	
	Piston or Field Installed TXV	Factory Installed TXV						Outdoor		Indoor		Suction	Liquid	Req'd Indoor ² Orifice	Optional Field Installed Orifice
								Suction	Liquid	Suction	Liquid				
2AC13**18P	E(C,M,U)1P18N(A,B)	E(C,M,U)2T18N(A,B)	13.00	11.00	17,000	12,200	550	3/4	3/8	3/4	3/8	3/4	3/8	.053	A2TXV01
	E(C,M,U)1P19NA	E(C,M,U)2T19NA	13.00	11.50	17,000	12,200	550	3/4	3/8	3/4	3/8	3/4	3/8	.053	A2TXV01
	E(C,H,M,U)1P23N(A,B)	E(C,H,M,U)2T23N(A,B)	13.00	11.50	17,000	12,200	550	3/4	3/8	3/4	3/8	3/4	3/8	.053	A2TXV01
	E(C,M,U)1P24N(A,B)	E(C,M,U)2T24N(A,B)	13.00	11.50	17,000	12,200	550	3/4	3/8	3/4	3/8	3/4	3/8	.053	A2TXV01
2AC13**24P	E(C,M,U)1P19NA	E(C,M,U)2T19NA	13.00	11.00	22,800	17,100	750	3/4	3/8	3/4	3/8	3/4	3/8	.062	A2TXV01
	E(C,H,M,U)1P23N(A,B)	E(C,H,M,U)2T23N(A,B)	13.00	11.00	23,200	17,400	750	3/4	3/8	3/4	3/8	3/4	3/8	.062	A2TXV01
	E(C,M,U)1P24N(A,B)	E(C,M,U)2T24N(A,B)	13.00	11.00	23,000	17,300	750	3/4	3/8	3/4	3/8	3/4	3/8	.062	A2TXV01
	E(C,H,M,U)1P29NA	E(C,H,M,U)2T29NA	13.00	11.50	23,000	17,300	750	3/4	3/8	3/4	3/8	3/4	3/8	.062	A2TXV01
2AC13**30P	E(C,H,M,U)1P23N(A,B)	E(C,H,M,U)2T23N(A,B)	13.00	11.00	27,800	20,900	900	3/4	3/8	3/4	3/8	3/4	3/8	.070	A2TXV01
	E(C,H,M,U)1P29NA	E(C,H,M,U)2T29NA	13.00	11.00	28,600	21,500	900	3/4	3/8	3/4	3/8	3/4	3/8	.070	A2TXV01
	E(C,M,U)1P30N(A,B,C)	E(C,M,U)2T30N(A,B,C)	13.00	11.00	28,200	21,200	900	3/4	3/8	3/4	3/8	3/4	3/8	.070	A2TXV01
	E(C,H,M,U)1P36N(A,B,C)	E(C,H,M,U)2T36N(A,B,C)	13.00	11.00	29,000	21,800	900	3/4	3/8	3/4	3/8	3/4	3/8	.070	A2TXV01
2AC13**36P	E(C,H,M,U)1P29NA	E(C,H,M,U)2T29NA	13.00	10.50	34,600	26,600	1060	3/4	3/8	3/4	3/8	3/4	3/8	.076	A2TXV01
	E(C,H,M,U)1P36N(A,B,C)	E(C,H,M,U)2T36N(A,B,C)	13.00	11.00	34,600	26,600	1060	3/4	3/8	3/4	3/8	3/4	3/8	.076	A2TXV01
	E(C,H,M,U)1P43NB	E(C,H,M,U)2T43NBC	13.00	11.00	35,200	27,100	1060	3/4	3/8	7/8	3/8	7/8	3/8	.076	A2TXV01
2AC13*42P	E(C,H,M,U)1P43NB	E(C,H,M,U)2T43NB	13.00	11.50	40,000	28,000	1250	7/8	3/8	7/8	3/8	7/8	3/8	.080	A2TXV02
	E(C,M,U)1P48N(B,C)	E(C,M,U)2T48N(B,C)	13.00	11.00	39,000	27,200	1250	7/8	3/8	7/8	3/8	7/8	3/8	.080	A2TXV02
	E(C,H,U)1P49NC	E(C,H,U)2T49NC	13.00	11.00	40,000	28,000	1250	7/8	3/8	7/8	3/8	7/8	3/8	.080	A2TXV02
2AC13*48P	E(C,H,M,U)1P43NB	E(C,H,M,U)2T43NB	13.00	11.50	45,000	32,000	1600	7/8	3/8	7/8	3/8	7/8	3/8	.088	A2TXV02
	E(C,M,U)1P48N(B,C)	E(C,M,U)2T48N(B,C)	13.00	12.00	45,000	32,000	1600	7/8	3/8	7/8	3/8	7/8	3/8	.088	A2TXV02
	E(C,H,U)1P49NC	E(C,H,U)2T49NC	13.00	11.50	46,000	32,600	1600	7/8	3/8	7/8	3/8	7/8	3/8	.088	A2TXV02
	E(C,M,U)1P50NC	E(C,M,U)2T50NC	13.00	11.50	45,000	32,000	1600	7/8	3/8	7/8	3/8	7/8	3/8	.088	A2TXV02
	E(C,U)1P60ND	E(C,U)2T60ND	13.00	11.50	45,000	32,000	1600	7/8	3/8	7/8	3/8	7/8	3/8	.088	A2TXV02
	E(C,H,U)1P62NC	E(C,H,U)2T62NC	13.00	12.00	45,500	32,300	1600	7/8	3/8	7/8	3/8	7/8	3/8	.088	A2TXV02
	E(C,H,U)1P62ND	E(C,H,U)2T62ND	13.00	12.00	45,500	32,300	1600	7/8	3/8	7/8	3/8	7/8	3/8	.088	A2TXV02
2AC13*60P	E(C,H,U)1P49NC	E(C,H,U)2T49NC	13.00	11.00	53,000	38,600	1800	7/8	3/8	7/8	3/8	1-1/8	3/8	.098	A2TXV02
	EH1P49ND	---	13.00	11.00	53,000	38,600	1800	7/8	3/8	7/8	3/8	1-1/8	3/8	.098	A2TXV02
	E(C,H,U)1P62NC	E(C,H,U)2T62NC	13.00	11.50	54,000	39,400	1800	7/8	3/8	7/8	3/8	1-1/8	3/8	.098	A2TXV02
	E(C,H,U)1P62ND	E(C,H,U)2T62ND	13.00	11.00	53,000	38,600	1800	7/8	3/8	7/8	3/8	1-1/8	3/8	.098	A2TXV02

** = B, L, BC, LC
* = B, L

¹ Certified in accordance with Unitary Air Conditioner Certification Program, which is based on ARI Standard 210/240.

² Required to achieve ARI rating.

A blower time delay is required to achieve ARI rating.

Cooling Performance with Air Handlers and Furnaces (18)

Outdoor Model	Indoor Model		Variable Speed Furnace	SEER	EER	Rated ARI Capacity ¹	Rated Sensible Capacity	CFM	Refrigerant Connection				Refrigerant Line Size		Indoor Metering Device	
	Piston or Field Installed TXV	Factory Installed TXV							Outdoor		Indoor		Suction	Liquid	Req'd Indoor ² Orifice	Optional Field Installed Orifice
									Suction	Liquid	Suction	Liquid				
2AC13**18P	RBCS2M18C****P	RBCS2M18C****T	—	13.00	12.00	17,900	12,900	600	3/4	3/8	3/4	3/8	3/4	3/8	.053	A2TXV01
	RBCS2M24V****P	—	—	14.00	12.50	18,000	13,000	550	3/4	3/8	3/4	3/8	3/4	3/8	.053	A2TXV01
	E(C,M,U)1P18NA	E(C,M,U)2T18NA	CMPEV050	14.00	12.00	17,300	12,500	600	3/4	3/8	3/4	3/8	3/4	3/8	.053	A2TXV01
	E(C,M,U)1P18NA	E(C,M,U)2T18NA	CMPEV075	14.00	12.00	17,300	12,500	600	3/4	3/8	3/4	3/8	3/4	3/8	.053	A2TXV01
	E(C,M,U)1P18NA	E(C,M,U)2T18NA	MPGAV050	14.00	12.00	17,300	12,500	600	3/4	3/8	3/4	3/8	3/4	3/8	.053	A2TXV01
	E(C,M,U)1P18NA	E(C,M,U)2T18NA	MPGAV075	14.00	12.00	17,300	12,500	600	3/4	3/8	3/4	3/8	3/4	3/8	.053	A2TXV01
	E(C,M,U)1P19NA	E(C,M,U)2T19NA	CMPEV050	14.00	12.50	17,300	12,500	600	3/4	3/8	3/4	3/8	3/4	3/8	.053	A2TXV01
	E(C,M,U)1P19NA	E(C,M,U)2T19NA	CMEV075	14.00	12.50	17,300	12,500	600	3/4	3/8	3/4	3/8	3/4	3/8	.053	A2TXV01
	E(C,M,U)1P19NA	E(C,M,U)2T19NA	MPGAV050	14.00	12.50	17,300	12,500	600	3/4	3/8	3/4	3/8	3/4	3/8	.053	A2TXV01
	E(C,H,M,U)1P19NA	E(C,H,M,U)2T19A	MPGAV075	14.00	12.50	17,300	12,500	600	3/4	3/8	3/4	3/8	3/4	3/8	.053	A2TXV01
	E(C,H,M,U)1P23NA	E(C,H,M,U)2T23NA	CMPEV050	14.00	12.50	17,300	12,500	600	3/4	3/8	3/4	3/8	3/4	3/8	.053	A2TXV01
	E(C,H,M,U)1P23NA	E(C,H,M,U)2T23NA	CMPEV075	14.00	12.50	17,300	12,500	600	3/4	3/8	3/4	3/8	3/4	3/8	.053	A2TXV01
	E(C,H,M,U)1P23NA	E(C,H,M,U)2T23NA	MPGAV050	14.00	12.50	17,300	12,500	600	3/4	3/8	3/4	3/8	3/4	3/8	.053	A2TXV01
	E(C,H,M,U)1P23NA	E(C,H,M,U)2T23NA	MPGAV075	14.00	12.50	17,300	12,500	600	3/4	3/8	3/4	3/8	3/4	3/8	.053	A2TXV01
	E(C,M,U)1P24NA	E(C,M,U)2T24NA	CMPEV050	14.00	12.50	17,300	12,500	600	3/4	3/8	3/4	3/8	3/4	3/8	.053	A2TXV01
	E(C,M,U)1P24NA	E(C,M,U)2T24NA	CMPEV075	14.00	12.50	17,300	12,500	600	3/4	3/8	3/4	3/8	3/4	3/8	.053	A2TXV01
	E(C,M,U)1P24NA	E(C,M,U)2T24NA	MPGAV050	14.00	12.50	17,300	12,500	600	3/4	3/8	3/4	3/8	3/4	3/8	.053	A2TXV01
	E(C,M,U)1P24NA	E(C,M,U)2T24NA	MPGAV075	14.00	12.50	17,300	12,500	600	3/4	3/8	3/4	3/8	3/4	3/8	.053	A2TXV01

** = B, L, BC, LC
* = B, L

¹ Certified in accordance with Unitary Air Conditioner Certification Program, which is based on ARI Standard 210/240.

² Required to achieve ARI rating.

A blower time delay is required to achieve ARI rating.

Cooling Performance with Air Handlers and Furnaces (24)

Outdoor Model	Indoor Model		Variable Speed Furnace	SEER	EER	Rated ARI Capacity ¹	Rated Sensible Capacity	CFM	Refrigerant Connection				Refrigerant Line Size		Indoor Metering Device	
	Piston or Field Installed TXV	Factory Installed TXV							Outdoor		Indoor		Suction	Liquid	Req'd Indoor ² Orifice	Optional Field Installed Orifice
									Suction	Liquid	Suction	Liquid				
2AC13**24P	RBCS2M24C****P	RBCS2M24C****T	---	13.00	11.50	23,400	17,600	750	3/4	3/8	3/4	3/8	3/4	3/8	.062	A2TXV01
	RBCS2M24V****P	---	---	14.00	12.00	23,600	17,700	750	3/4	3/8	3/4	3/8	3/4	3/8	.062	A2TXV01
	E(C,M,U)1P19NA	E(C,M,U)2T19NA	CMPEV050	13.50	11.50	23,200	17,400	800	3/4	3/8	3/4	3/8	3/4	3/8	.062	A2TXV01
	E(C,M,U)1P19NA	E(C,M,U)2T19NA	CMPEV075	13.50	11.50	23,200	17,400	800	3/4	3/8	3/4	3/8	3/4	3/8	.062	A2TXV01
	E(C,M,U)1P19NA	E(C,M,U)2T19NA	MPGAV050	14.00	11.50	23,200	17,400	800	3/4	3/8	3/4	3/8	3/4	3/8	.062	A2TXV01
	E(C,M,U)1P19NA	E(C,M,U)2T19NA	MPGAV075	14.00	11.50	23,200	17,400	800	3/4	3/8	3/4	3/8	3/4	3/8	.062	A2TXV01
	E(C,H,M,U)1P23NA	E(C,H,M,U)2T23NA	CMPEV050	13.50	12.00	23,400	17,600	800	3/4	3/8	3/4	3/8	3/4	3/8	.062	A2TXV01
	E(C,H,M,U)1P23NA	E(C,H,M,U)2T23NA	CMEV075	13.50	12.00	23,400	17,600	800	3/4	3/8	3/4	3/8	3/4	3/8	.062	A2TXV01
	E(C,H,M,U)1P23NA	E(C,H,M,U)2T23NA	MPGAV050	14.00	12.00	23,400	17,600	800	3/4	3/8	3/4	3/8	3/4	3/8	.062	A2TXV01
	E(C,H,M,U)1P23NA	E(C,H,M,U)2T23A	MPGAV075	14.00	12.00	23,400	17,600	800	3/4	3/8	3/4	3/8	3/4	3/8	.062	A2TXV01
	E(C,M,U)1P24NA	E(C,M,U)2T24NA	CMPEV050	14.00	12.00	17,600	12,500	800	3/4	3/8	3/4	3/8	3/4	3/8	.062	A2TXV01
	E(C,M,U)1P24NA	E(C,M,U)2T24NA	CMPEV075	14.00	12.00	17,600	12,500	800	3/4	3/8	3/4	3/8	3/4	3/8	.062	A2TXV01
	E(C,M,U)1P24NA	E(C,M,U)2T24NA	MPGAV050	14.00	12.00	17,600	12,500	800	3/4	3/8	3/4	3/8	3/4	3/8	.062	A2TXV01
	E(C,M,U)1P24NA	E(C,M,U)2T24NA	MPGAV075	14.00	12.00	17,600	12,500	800	3/4	3/8	3/4	3/8	3/4	3/8	.062	A2TXV01
	E(C,H,M,U)1P29NA	E(C,H,M,U)2T29NA	CMPEV050	14.00	12.00	17,600	12,500	800	3/4	3/8	3/4	3/8	3/4	3/8	.062	A2TXV01
	E(C,H,M,U)1P29NA	E(C,H,M,U)2T29NA	CMPEV075	14.00	12.00	17,600	12,500	800	3/4	3/8	3/4	3/8	3/4	3/8	.062	A2TXV01
	E(C,H,M,U)1P29NA	E(C,H,M,U)2T29NA	MPGAV050	14.00	12.00	17,600	12,500	800	3/4	3/8	3/4	3/8	3/4	3/8	.062	A2TXV01
	E(C,H,M,U)1P29NA	E(C,H,M,U)2T29NA	MPGAV075	14.00	12.00	17,600	12,500	800	3/4	3/8	3/4	3/8	3/4	3/8	.062	A2TXV01

** = B, L, BC, LC
* = B, L

¹ Certified in accordance with Unitary Air Conditioner Certification Program, which is based on ARI Standard 210/240.
² Required to achieve ARI rating.

A blower time delay is required to achieve ARI rating.

Cooling Performance with Air Handlers and Furnaces (30)

Outdoor Model	Indoor Model		Variable Speed Furnace	SEER	EER	Rated ARI Capacity ¹	Rated Sensible Capacity	CFM	Refrigerant Connection				Refrigerant Line Size		Indoor Metering Device	
	Piston or Field Installed TXV	Factory Installed TXV							Outdoor		Indoor		Suction	Liquid	Req'd Indoor ² Orifice	Optional Field Installed Orifice
									Suction	Liquid	Suction	Liquid				
2AC13**30P	RBCS2M30C****P	RBCS2M30C****T	---	13.00	11.50	29,000	21,800	900	3/4	3/8	3/4	3/8	3/4	3/8	.070	A2TXV01
	RBCS2M36V****P	---	---	14.00	12.00	29,000	21,800	900	3/4	3/8	3/4	3/8	3/4	3/8	.070	A2TXV01
	E(C,H,M,U)1P23NA	E(C,M,U)2T23NA	CMPEV050	13.50	11.50	28,200	21,200	1000	3/4	3/8	3/4	3/8	3/4	3/8	.070	A2TXV01
	E(C,H,M,U)1P23NA	E(C,M,U)2T23NA	CMPEV075	13.50	11.50	28,200	21,200	1000	3/4	3/8	3/4	3/8	3/4	3/8	.070	A2TXV01
	E(C,H,M,U)1P23NA	E(C,H,M,U)2T23NA	MPGAV050	14.00	11.50	28,200	21,200	1000	3/4	3/8	3/4	3/8	3/4	3/8	.070	A2TXV01
	E(C,H,M,U)1P23NA	E(C,H,M,U)2T23NA	MPGAV075	14.00	11.50	28,200	21,200	1000	3/4	3/8	3/4	3/8	3/4	3/8	.070	A2TXV01
	E(C,H,M,U)1P23NB	E(C,H,M,U)2T23NB	CMPEV0100	13.50	11.50	28,200	21,200	1000	3/4	3/8	3/4	3/8	3/4	3/8	.070	A2TXV01
	E(C,H,M,U)1P23NB	E(C,H,M,U)2T23NB	MPGAV100	14.00	11.50	28,200	21,200	1000	3/4	3/8	3/4	3/8	3/4	3/8	.070	A2TXV01
	E(C,H,M,U)1P29NA	E(C,H,M,U)2T29NA	CMPEV050	13.50	12.00	29,000	21,800	1000	3/4	3/8	3/4	3/8	3/4	3/8	.070	A2TXV01
	E(C,H,M,U)1P29NA	E(C,H,M,U)2T29NA	CMPEV075	13.50	12.00	29,000	21,800	1000	3/4	3/8	3/4	3/8	3/4	3/8	.070	A2TXV01
	E(C,H,M,U)1P29NA	E(C,H,M,U)2T29NA	MPGAV050	14.00	12.00	29,000	21,800	1000	3/4	3/8	3/4	3/8	3/4	3/8	.070	A2TXV01
	E(C,H,M,U)1P29NA	E(C,H,M,U)2T29NA	MPGAV075	14.00	12.00	29,000	21,800	1000	3/4	3/8	3/4	3/8	3/4	3/8	.070	A2TXV01
	E(C,M,U)1P30NA	E(C,M,U)2T30NA	CMPEV050	13.50	11.50	28,600	21,500	1000	3/4	3/8	3/4	3/8	3/4	3/8	.070	A2TXV01
	E(C,M,U)1P30NA	E(C,M,U)2T30NA	CMPEV075	13.50	11.50	28,600	21,500	1000	3/4	3/8	3/4	3/8	3/4	3/8	.070	A2TXV01
	E(C,M,U)1P30NA	E(C,M,U)2T30NA	MPGAV050	14.00	12.00	28,600	21,500	1000	3/4	3/8	3/4	3/8	3/4	3/8	.070	A2TXV01
	E(C,M,U)1P30NA	E(C,M,U)2T30NA	MPGAV075	14.00	12.00	28,600	21,500	1000	3/4	3/8	3/4	3/8	3/4	3/8	.070	A2TXV01
	E(C,M,U)1P30NB	E(C,M,U)2T30NB	CMPEV050	14.00	11.50	28,600	21,500	1000	3/4	3/8	3/4	3/8	3/4	3/8	.070	A2TXV01
	E(C,M,U)1P30NB	E(C,M,U)2T30NB	MPGAV075	14.00	11.50	28,600	21,500	1000	3/4	3/8	3/4	3/8	3/4	3/8	.070	A2TXV01
	E(C,M,U)1P36NA	E(C,M,U)2T36NA	CMPEV050	13.50	12.00	29,400	22,100	1000	3/4	3/8	3/4	3/8	3/4	3/8	.070	A2TXV01
	E(C,M,U)1P36NA	E(C,M,U)2T36NA	CMPEV075	13.50	12.00	29,400	22,100	1000	3/4	3/8	3/4	3/8	3/4	3/8	.070	A2TXV01
	E(C,M,U)1P36NA	E(C,M,U)2T36NA	MPGAV050	14.00	12.00	29,400	22,100	1000	3/4	3/8	3/4	3/8	3/4	3/8	.070	A2TXV01
	E(C,M,U)1P36NA	E(C,M,U)2T36NA	MPGAV075	14.00	12.00	29,400	22,100	1000	3/4	3/8	3/4	3/8	3/4	3/8	.070	A2TXV01
	E(C,H,M,U)1P36NB	E(C,H,M,U)2T36NB	CMPEV0100	14.00	12.00	29,400	22,100	1000	3/4	3/8	3/4	3/8	3/4	3/8	.070	A2TXV01
	E(C,H,M,U)1P36NB	E(C,H,M,U)2T36NB	MPGAV0100	14.00	12.00	29,400	22,100	1000	3/4	3/8	3/4	3/8	3/4	3/8	.070	A2TXV01

** = B, L, BC, LC
* = B, L

¹ Certified in accordance with Unitary Air Conditioner Certification Program, which is based on ARI Standard 210/240.
² Required to achieve ARI rating.

A blower time delay is required to achieve ARI rating.

Cooling Performance with Air Handlers and Furnaces (36, 42, 48, 60)

Outdoor Model	Indoor Model		Variable Speed Furnace	SEER	EER	Rated ARI Capacity ¹	Rated Sensible Capacity	CFM	Refrigerant Connection				Refrigerant Line Size		Indoor Metering Device	
	Piston or Field Installed TXV	Factory Installed TXV							Outdoor		Indoor		Suction	Liquid	Req'd Indoor ² Orifice	Optional Field Installed Orifice
									Suction	Liquid	Suction	Liquid				
2AC13**36P	RBCS2M36C****P	RBCS2M36C****T	---	13.00	11.50	35,000	27,000	1060	3/4	3/8	3/4	3/8	3/4	3/8	.076	A2TXV01
	RBCS2M36V****P	---	---	14.00	12.00	35,600	27,400	1060	3/4	3/8	3/4	3/8	3/4	3/8	.076	A2TXV01
	E(C,M,U)1P36NA	E(C,M,U)2T36NA	MPGAV050	13.50	11.50	35,000	27,000	1060	3/4	3/8	3/4	3/8	3/4	3/8	.076	A2TXV01
	E(C,M,U)1P36NA	E(C,M,U)2T36NA	MPGAV075	13.50	11.50	35,000	27,000	1060	3/4	3/8	3/4	3/8	3/4	3/8	.076	A2TXV01
	E(C,H,M,U)1P36NB	E(C,H,M,U)2T36NB	CMPEV100	13.50	11.50	34,800	26,800	1060	3/4	3/8	3/4	3/8	3/4	3/8	.076	A2TXV01
	E(C,H,M,U)1P36NB	E(C,H,M,U)2T36NB	MPGAV100	13.50	12.00	35,200	27,100	1060	3/4	3/8	3/4	3/8	3/4	3/8	.076	A2TXV01
	E(C,H,M,U)1P43NB	E(C,H,M,U)2T36NB	CMPEV0100	13.50	12.00	35,800	27,600	1060	3/4	3/8	7/8	3/8	3/4	3/8	.076	A2TXV01
	E(C,H,M,U)1P43NB	E(C,H,M,U)2T36NB	MPGAV100	13.50	12.00	35,800	27,600	1060	3/4	3/8	7/8	3/8	3/4	3/8	.076	A2TXV01
2AC13*42P	RBCS2M42C****P	RBCS2M42C****T	---	13.00	11.00	39,500	27,600	1250	7/8	3/8	7/8	3/8	7/8	3/8	.080	A2TXV02
	RBCS2M42V****P	---	---	13.50	12.00	39,500	27,600	1250	7/8	3/8	7/8	3/8	7/8	3/8	.080	A2TXV02
	E(C,H,M,U)1P43NB	E(C,H,M,U)2T43NC	MPGAV050	13.50	12.00	40,000	28,000	1400	7/8	3/8	7/8	3/8	7/8	3/8	.080	A2TXV02
	E(C,H,M,U)1P43NB	E(C,H,M,U)2T43NC	MPGAV100	14.00	12.00	40,000	28,000	1400	7/8	3/8	7/8	3/8	7/8	3/8	.080	A2TXV02
	E(C,M,U)1P49NC	E(C,M,U)2T49NA	CMPEV125	13.50	11.00	40,000	28,000	1400	7/8	3/8	7/8	3/8	7/8	3/8	.080	A2TXV02
	E(C,M,U)1P49NC	E(C,M,U)2T49NA	MPGAV125	14.00	11.50	40,500	28,300	1400	7/8	3/8	7/8	3/8	7/8	3/8	.080	A2TXV02
2AC13*48P	RBCS2M48C****P	RBCS2M48C****T	---	13.00	12.00	45,000	32,0 ⁰⁰	1600	7/8	3/8	7/8	3/8	3/4	3/8	.088	A2TXV02
	RBCS2M48V****P	---	---	13.50	12.00	45,800	32,000	1600	7/8	3/8	7/8	3/8	3/4	3/8	.088	A2TXV02
	E(C,H,U)1P49NC	E(C,M,U)2T30NB	MPGAV125	14.00	12.00	46,000	32,600	1600	7/8	3/8	7/8	3/8	3/4	3/8	.088	A2TXV02
	E(C,M,U)1P50NC	E(C,M,U)2T30NB	MPGAV125	13.50	12.00	45,000	32,000	1600	7/8	3/8	7/8	3/8	3/4	3/8	.088	A2TXV02
	E(C,M,U)1P62NC	E(C,M,U)2T36NA	MPGAV125	14.00	12.00	45,500	32,200	1600	7/8	3/8	7/8	3/8	3/4	3/8	.088	A2TXV02
2AC13*60P	RBCS260C****P	RBCS260C****T	---	13.00	11.00	52,000	38,000	1800	7/8	3/8	7/8	3/8	1-1/8	3/8	.098	A2TXV02
	RBCS2M60V****P	---	---	13.50	11.50	52,000	38,000	1800	7/8	3/8	7/8	3/8	1-1/8	3/8	.098	A2TXV02
	E(C,M,U)1P49NC	E(C,H,U)2T49NC	MPGAV125	13.50	11.00	53,000	38,600	1800	7/8	3/8	7/8	3/8	1-1/8	3/8	.098	A2TXV02
	E(C,H,M,U)1P62NC	E(C,H,U)2T62NC	MPGAV125	13.50	11.50	54,000	39,400	1800	7/8	3/8	7/8	3/8	1-1/8	3/8	.098	A2TXV02

** = B, L, BC, LC
* = B, L

¹ Certified in accordance with Unitary Air Conditioner Certification Program, which is based on ARI Standard 210/240.

² Required to achieve ARI rating.

A blower time delay is required to achieve ARI rating.

Cooling Performance with Extended Ratings

Outdoor Model	Indoor Model	Indoor Temp DB/WB °F	Outdoor Temp - DB°F														
			65			82			95			105			115		
			Btuh	S/T	kW	Btuh	S/T	kW	Btuh	S/T	kW	Btuh	S/T	kW	Btuh	S/T	kW
2AC13**18P	E*1P19	75/63	16,900	.71	1.25	16,100	.76	1.42	15,700	.78	1.49	15,000	.81	1.55	13,800	.82	1.60
		80/67	18,200	.67	1.29	17,400	.71	1.47	17,000	.73	1.55	16,100	.76	1.61	14,900	.76	1.67
		85/71	19,400	.65	1.34	18,500	.69	1.53	18,000	.71	1.61	17,100	.74	1.68	15,800	.74	1.74
2AC13**24P	E*1P23	75/63	23,000	.70	1.81	22,000	.75	1.98	21,000	.77	2.05	20,000	.80	2.11	19,000	.81	2.16
		80/67	25,000	.66	1.85	24,000	.70	2.03	23,000	.72	2.11	22,000	.75	2.17	20,000	.75	2.23
		85/71	26,000	.64	1.90	25,000	.68	2.09	25,000	.70	2.17	23,000	.73	2.24	21,000	.73	2.30
2AC13**30P	E*1P29	75/63	28,000	.69	2.30	27,000	.73	2.47	26,000	.76	2.54	25,000	.79	2.60	23,000	.79	2.65
		80/67	30,000	.65	2.34	29,000	.69	2.52	29,000	.71	2.60	27,000	.74	2.66	25,000	.74	2.72
		85/71	32,000	.63	2.39	31,000	.67	2.58	30,000	.69	2.66	29,000	.72	2.73	27,000	.72	2.79
2AC13**36P	E*1P36	75/63	34,000	.70	2.85	33,000	.75	3.02	32,000	.77	3.09	30,000	.80	3.15	28,000	.81	3.20
		80/67	37,000	.66	2.89	35,000	.70	3.07	34,000	.72	3.15	33,000	.75	3.21	30,000	.75	3.27
		85/71	39,000	.64	2.94	37,000	.68	3.13	37,000	.70	3.21	35,000	.73	3.28	32,000	.73	3.34
2AC13*42P	E*1P43	75/63	40,000	.68	3.18	38,000	.72	3.35	37,000	.75	3.42	35,000	.78	3.48	33,000	.78	3.53
		80/67	43,000	.64	3.22	41,000	.68	3.40	40,000	.70	3.48	38,000	.73	3.54	35,000	.73	3.60
		85/71	45,000	.62	3.27	43,000	.66	3.46	42,000	.68	3.54	40,000	.70	3.61	37,000	.71	3.67
2AC13*48P	E*1P48	75/63	45,000	.69	3.61	43,000	.73	3.78	42,000	.76	3.85	40,000	.79	3.91	37,000	.79	3.96
		80/67	48,000	.65	3.65	46,000	.69	3.83	45,000	.71	3.91	42,000	.74	3.97	40,000	.74	4.03
		85/71	51,000	.63	3.70	49,000	.67	3.89	47,000	.69	3.97	45,000	.72	4.04	42,000	.72	4.10
2AC13*60P	E*1P62	75/63	53,000	.72	4.40	51,000	.77	4.57	50,000	.79	4.64	48,000	.82	4.70	44,000	.83	4.75
		80/67	58,000	.67	4.44	56,000	.72	4.62	54,000	.74	4.70	51,000	.77	4.76	47,000	.77	4.82
		85/71	61,000	.65	4.49	59,000	.70	4.68	57,000	.72	4.76	54,000	.75	4.83	50,000	.75	4.89

A blower time delay is required to achieve ARI rating. Which is part of these air handler and furnace controls.

** = B, L, BC, LC
* = B, L

Accessories

Description	Where Used	Catalog #
Hard Start Kit	2AC13**18, 24, 30, 36	12W16
Hard Start Kit	2AC13**42, 48	12W18
Hard Start Kit	2AC13**60	43W33
Low Pressure Switch	All Models	14W08
High Pressure Switch	2AC13**18, 24, 30, 36	14W09
High Pressure Switch	2AC13**42, 48, 60	Factory installed
Low Ambient	All models	14W11
Short cycle protection	All models	14W07
Liquid line solenoid	All models	20443001
Crankcase Heater	2AC 13**18, 24, 30, 36, 42, 48	14W06
Crankcase Heater	2AC13**60	Factory installed
Compressor Sound Blanket	2AC13**18, 24, 30, 36	14W03
Compressor Sound Blanket	2AC13**42, 48, 60	47W04
TXV Kit	2AC13**18, 24, 30, 36	A2TXV01
TXV Kit	2AC13**42, 48, 60	A2TXV02

Duconé
AIR CONDITIONING
AND HEATING

www.ducanehvac.com
1-800-448-5872



All specifications and illustrations subject to change without notice and without incurring obligations.