

## 2AC14 Features and Benefits

- Durable compressors with internal pressure relief valves and inherent thermal protection
- High-quality condenser coil with copper tubing and enhanced louvered fin for maximum heat transfer capacity
- Top discharge directs hot air and sound away from living area and shrubbery
- All units are factory run tested
- Available with louvered panel or wire guard coil protection option
- Easy access to electrical panels, pre-wired for easy hook-up
- Hinged control panel allows simple access to internal components
- 45-degree service valves for easy hook-up and service
- Liquid line filter drier installed in every unit
- All units ETL, ETLIC approved and ARI listed
- Charged for 15 feet of interconnecting tubing
- Select models meet 76dBA and include compressor sound blanket
- 10 year limited parts warranty available (5 year compressor). See limited warranty document for details.

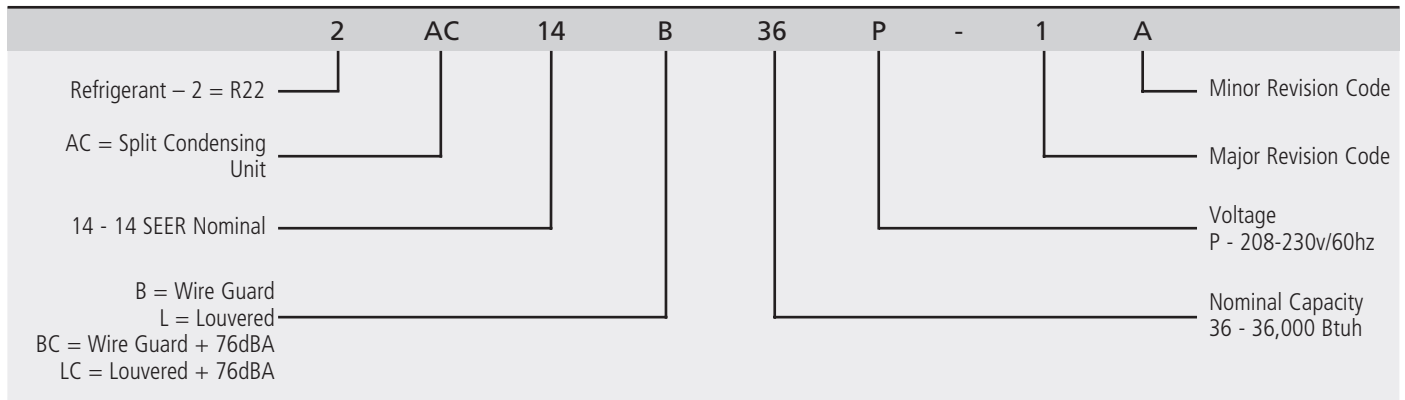


L & LC Models



B & BC Models

### Model Number Guide



### Electrical and Physical Data

| Model      | Voltage/ Hz/ Phase | Voltage Range | Min. Circuit Amp. | Maximum Over Current Device (amps) | Compressor        |                     | Fan Motor      |          |          | Refrig. Charge (oz.)* | Weight (lbs.)<br>Wire Guard/<br>Louvered |
|------------|--------------------|---------------|-------------------|------------------------------------|-------------------|---------------------|----------------|----------|----------|-----------------------|--|
|            |                    |               |                   |                                    | Rated Load (Amps) | Locked Rotor (Amps) | Full Load Amps | Rated HP | Nom. RPM |                       |  |
| 2AC14**18P | 208-230/60/1       | 197 - 253     | 9.7               | 15                                 | 6.9               | 35                  | 1.1            | 1/10     | 1075     | 106                   | 185                                      |
| 2AC14**24P | 208-230/60/1       | 197 - 253     | 11.6              | 20                                 | 8.4               | 39                  | 1.1            | 1/10     | 1075     | 129                   | 201                                      |
| 2AC14**30P | 208-230/60/1       | 197 - 253     | 15.2              | 25                                 | 11.3              | 51                  | 1.1            | 1/5      | 1075     | 154                   | 227                                      |
| 2AC14**36P | 208-230/60/1       | 197 - 253     | 17.2              | 30                                 | 12.9              | 61                  | 1.1            | 1/5      | 1075     | 165                   | 226                                      |
| 2AC14*42P  | 208-230/60/1       | 197 - 253     | 21.5              | 35                                 | 16.2              | 82                  | 1.2            | 1/4      | 1075     | 204                   | 262                                      |
| 2AC14*48P  | 208-230/60/1       | 197 - 253     | 22.6              | 35                                 | 17.1              | 100                 | 1.2            | 1/4      | 1075     | 208                   | 261                                      |
| 2AC14*60P  | 208-230/60/1       | 197 - 253     | 28.8              | 50                                 | 21.4              | 137                 | 2.0            | 1/3      | 1075     | 264                   | 270                                      |

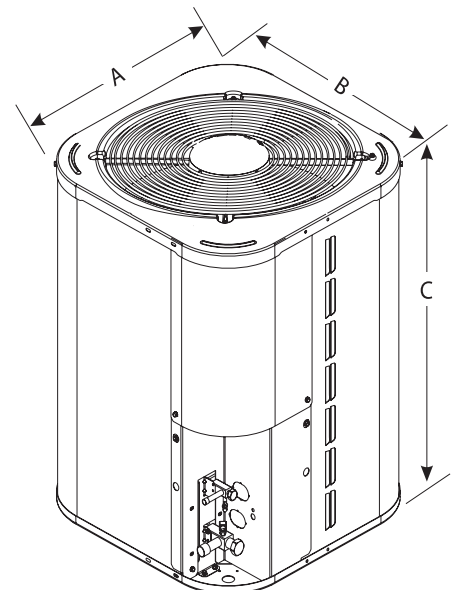
\*\* = B, L, BC, LC  
\* = B, L

\* Factory charged for 15 feet of line set. Adjust per Installation Instructions

### Dimensions (in.) and Sound Ratings

| Model      | Dimensions      |                 |                  | B, L<br>Sound Rating (dBA) | BC, LC<br>Sound Rating (dBA) |
|------------|-----------------|-----------------|------------------|----------------------------|------------------------------|
|            | A - width (in.) | B - depth (in.) | C - height (in.) |                            |                              |
| 2AC14**18P | 30              | 30              | 25.75            | 80                         | 76                           |
| 2AC14**24P | 30              | 30              | 25.75            | 80                         | 76                           |
| 2AC14**30P | 30              | 30              | 33.75            | 79                         | 76                           |
| 2AC14**36P | 30              | 30              | 33.75            | 80                         | 76                           |
| 2AC14*42P  | 30              | 30              | 41.75            | 76                         | ---                          |
| 2AC14*48P  | 30              | 30              | 41.75            | 78                         | ---                          |
| 2AC14*60P  | 30              | 30              | 41.75            | 80                         | ---                          |

\*\* = B, L, BC, LC  
\* = B, L



### Cooling Performance with Evaporator Coils

| Outdoor Model | Indoor Model                  |                       | SEER  | EER   | Rated ARI Capacity <sup>1</sup> | Rated Sensible Capacity | CFM  | Refrigerant Connection |        |         |        | Refrigerant Line Size |        | Indoor Metering Device            |                                  |
|---------------|-------------------------------|-----------------------|-------|-------|---------------------------------|-------------------------|------|------------------------|--------|---------|--------|-----------------------|--------|-----------------------------------|----------------------------------|
|               | Piston or Field Installed TXV | Factory Installed TXV |       |       |                                 |                         |      | Outdoor                |        | Indoor  |        | Suction               | Liquid | Req'd Indoor <sup>2</sup> Orifice | Optional Field Installed Orifice |
|               |                               |                       |       |       |                                 |                         |      | Suction                | Liquid | Suction | Liquid |                       |        |                                   |                                  |
| 2AC14**18P    | E(C,H,M,U)1P23(A,B)+TXV       | E(C,H,M,U)2T23(A,B)   | 14.00 | 12.00 | 19,000                          | 12,900                  | 650  | 3/4                    | 3/8    | 3/4     | 3/8    | 3/4                   | 3/8    | ---                               | A2TXV01                          |
|               | E(C,M,U)1P24(A,B)+TXV         | E(C,M,U)2T24B         | 13.50 | 12.00 | 18,400                          | 12,500                  | 650  | 3/4                    | 3/8    | 3/4     | 3/8    | 3/4                   | 3/8    | ---                               | A2TXV01                          |
| 2AC14**24P    | E(C,H,M,U)1P23(A,B)           | E(C,H,M,U)2T23(A,B)   | 14.00 | 12.50 | 23,600                          | 17,600                  | 850  | 3/4                    | 3/8    | 3/4     | 3/8    | 3/4                   | 3/8    | ---                               | A2TXV01                          |
|               | E(C,H,M,U)1P29A+TXV           | E(C,H,M,U)2T29A       | 14.00 | 12.50 | 23,800                          | 17,600                  | 850  | 3/4                    | 3/8    | 3/4     | 3/8    | 3/4                   | 3/8    | ---                               | A2TXV01                          |
|               | E(C,M,U)1P24(A,B)+TXV         | E(C,M,U)2T24B         | 13.50 | 12.00 | 22,600                          | 16,700                  | 845  | 3/4                    | 3/8    | 3/4     | 3/8    | 3/4                   | 3/8    | ---                               | A2TXV01                          |
| 2AC14**30P    | E(C,H,M,U)1P36(A,B,C)+TXV     | E(C,H,M,U)2T36(A,B,C) | 14.00 | 12.00 | 28,600                          | 20,900                  | 1050 | 3/4                    | 3/8    | 3/4     | 3/8    | 3/4                   | 3/8    | ---                               | A2TXV01                          |
| 2AC14**36P    | E(C,H,M,U)1P36(A,B,C)+TXV     | E(C,H,M,U)2T36(A,B,C) | 14.00 | 12.00 | 34,600                          | 25,300                  | 1250 | 3/4                    | 3/8    | 3/4     | 3/8    | 3/4                   | 3/8    | ---                               | A2TXV01                          |
|               | E(C,H,M,U)1P43B+TXV           | E(C,H,M,U)2T43B       | 14.50 | 12.50 | 34,800                          | 25,400                  | 1250 | 3/4                    | 3/8    | 7/8     | 3/8    | 3/4                   | 3/8    | ---                               | A2TXV01                          |
| 2AC14*42P     | E(C,H,U)1P49C+TXV             | E(C,H,U)2T49C         | 14.00 | 12.00 | 40,000                          | 29,200                  | 1450 | 7/8                    | 3/8    | 7/8     | 3/8    | 7/8                   | 3/8    | ---                               | A2TXV02                          |
|               | E(C,H,U)1P62C+TXV             | E(C,H,U)2T62C         | 14.00 | 11.50 | 40,000                          | 29,200                  | 1450 | 7/8                    | 3/8    | 7/8     | 3/8    | 7/8                   | 3/8    | ---                               | A2TXV02                          |
|               | E(C,H,U)1P62D+TXV             | E(C,H,U)2T62D         | 14.00 | 12.00 | 40,000                          | 29,200                  | 1450 | 7/8                    | 3/8    | 7/8     | 3/8    | 7/8                   | 3/8    | ---                               | A2TXV02                          |
| 2AC14*48P     | E(C,H,U)1P49C+TXV             | E(C,H,U)2T49C         | 14.00 | 12.00 | 48,000                          | 34,500                  | 1650 | 7/8                    | 3/8    | 7/8     | 3/8    | 7/8                   | 3/8    | ---                               | A2TXV02                          |
|               | E(C,M,U)1P62C+TXV             | E(C,H,U)2T62C         | 14.00 | 12.00 | 48,000                          | 34,500                  | 1650 | 7/8                    | 3/8    | 7/8     | 3/8    | 7/8                   | 3/8    | ---                               | A2TXV02                          |
|               | E(C,H,U)1P62D+TXV             | E(C,H,U)2T62D         | 14.00 | 12.00 | 48,000                          | 34,500                  | 1650 | 7/8                    | 3/8    | 7/8     | 3/8    | 7/8                   | 3/8    | ---                               | A2TXV02                          |
| 2AC14*60P     | E(C,H,U)1P62C+TXV             | E(C,H,U)2T62C         | 13.00 | 11.00 | 53,500                          | 41,200                  | 1950 | 7/8                    | 3/8    | 7/8     | 3/8    | 1-1/8                 | 3/8    | ---                               | A2TXV02                          |
|               | E(C,H,U)1P62D+TXV             | E(C,H,U)2T62D         | 13.00 | 11.00 | 53,000                          | 40,800                  | 1950 | 7/8                    | 3/8    | 7/8     | 3/8    | 1-1/8                 | 3/8    | ---                               | A2TXV02                          |

\*\* = B, L, BC, LC  
 \* = B, L

<sup>1</sup> Certified in accordance with Unitary Air Conditioner Certification Program, which is based on ARI Standard 210/240.

<sup>2</sup> Required to achieve ARI rating.

A blower time delay is required to achieve ARI rating.

### Cooling Performance with Air Handlers and Furnaces 18, 24, 30

| Outdoor Model | Indoor Model                  |                       |                        | SEER  | EER   | Rated ARI Capacity <sup>1</sup> | Rated Sensible Capacity | CFM  | Refrigerant Connection |        |         |        | Refrigerant Line Size |        | Indoor Metering Device    |                              |
|---------------|-------------------------------|-----------------------|------------------------|-------|-------|---------------------------------|-------------------------|------|------------------------|--------|---------|--------|-----------------------|--------|---------------------------|------------------------------|
|               | Piston or Field Installed TXV | Factory Installed TXV | Variable Speed Furnace |       |       |                                 |                         |      | Outdoor                |        | Indoor  |        | Suction               | Liquid | Req'd Indoor <sup>2</sup> | Optional Field Installed TXV |
|               |                               |                       |                        |       |       |                                 |                         |      | Suction                | Liquid | Suction | Liquid |                       |        |                           |                              |
| 2AC14**18P    | E(C,H,M,U)1P23B+TXV           | E(C,H,M,U)2T23B       | CG80*C***V12B          | 15.00 | 13.00 | 19,000                          | 12,900                  | 650  | 3/4                    | 3/8    | 3/4     | 3/8    | 3/4                   | 3/8    | ---                       | A2TXV01                      |
|               | E(C,H,M,U)1P23B+TXV           | E(C,H,M,U)2T23B       | CG95*C***V12B          | 15.00 | 13.00 | 19,000                          | 12,900                  | 650  | 3/4                    | 3/8    | 3/4     | 3/8    | 3/4                   | 3/8    | ---                       | A2TXV01                      |
|               | E(C,M,U)1P24B+TXV             | E(C,M,U)2T24B         | CG80*C***V12B          | 15.00 | 13.00 | 18,400                          | 12,500                  | 650  | 3/4                    | 3/8    | 3/4     | 3/8    | 3/4                   | 3/8    | ---                       | A2TXV01                      |
|               | E(C,M,U)1P24B+TXV             | E(C,M,U)2T24B         | CG95*C***V12B          | 15.00 | 13.00 | 18,400                          | 12,500                  | 650  | 3/4                    | 3/8    | 3/4     | 3/8    | 3/4                   | 3/8    | ---                       | A2TXV01                      |
|               | RBCS2M18C****P+TXV            | ---                   | ---                    | 14.50 | 12.50 | 19,000                          | 12,900                  | 650  | 3/4                    | 3/8    | 3/4     | 3/8    | 3/4                   | 3/8    | ---                       | A2TXV01                      |
|               | RBCS2M18C****T                | ---                   | ---                    | 14.50 | 12.50 | 19,000                          | 12,900                  | 650  | 3/4                    | 3/8    | 3/4     | 3/8    | 3/4                   | 3/8    | ---                       | A2TXV01                      |
|               | RBCS2M24V****P+TXV            | ---                   | ---                    | 15.00 | 13.50 | 19,000                          | 12,900                  | 650  | 3/4                    | 3/8    | 3/4     | 3/8    | 3/4                   | 3/8    | ---                       | A2TXV01                      |
| 2AC14**24P    | E(C,H,M,U)1P23B+TXV           | E(C,H,M,U)2T23B       | CG80*C***V12B          | 15.00 | 13.50 | 23,600                          | 17,600                  | 850  | 3/4                    | 3/8    | 3/4     | 3/8    | 3/4                   | 3/8    | ---                       | A2TXV01                      |
|               | E(C,H,M,U)1P23B+TXV           | E(C,H,M,U)2T23B       | CG80*C***V14B          | 15.00 | 13.50 | 23,600                          | 17,600                  | 850  | 3/4                    | 3/8    | 3/4     | 3/8    | 3/4                   | 3/8    | ---                       | A2TXV01                      |
|               | E(C,H,M,U)1P23B+TXV           | E(C,H,M,U)2T23B       | CG95*C***V12B          | 15.00 | 13.50 | 23,600                          | 17,600                  | 850  | 3/4                    | 3/8    | 3/4     | 3/8    | 3/4                   | 3/8    | ---                       | A2TXV01                      |
|               | E(C,H,M,U)1P23B+TXV           | E(C,H,M,U)2T23B       | CG95*C***V14B          | 15.00 | 13.50 | 23,600                          | 17,600                  | 850  | 3/4                    | 3/8    | 3/4     | 3/8    | 3/4                   | 3/8    | ---                       | A2TXV01                      |
|               | E(C,M,U)1P24B+TXV             | E(C,M,U)2T24B         | CG80*C***V12B          | 15.00 | 13.00 | 22,600                          | 16,700                  | 845  | 3/4                    | 3/8    | 3/4     | 3/8    | 3/4                   | 3/8    | ---                       | A2TXV01                      |
|               | E(C,M,U)1P24B+TXV             | E(C,M,U)2T24B         | CG80*C***V12B          | 15.00 | 13.00 | 22,600                          | 16,700                  | 845  | 3/4                    | 3/8    | 3/4     | 3/8    | 3/4                   | 3/8    | ---                       | A2TXV01                      |
|               | E(C,M,U)1P24B+TXV             | E(C,M,U)2T24B         | CG95*C***V12B          | 15.00 | 13.00 | 22,600                          | 16,700                  | 845  | 3/4                    | 3/8    | 3/4     | 3/8    | 3/4                   | 3/8    | ---                       | A2TXV01                      |
|               | E(C,M,U)1P24B+TXV             | E(C,M,U)2T24B         | CG95*C***V14B          | 15.00 | 13.00 | 22,600                          | 16,700                  | 845  | 3/4                    | 3/8    | 3/4     | 3/8    | 3/4                   | 3/8    | ---                       | A2TXV01                      |
|               | RBCS2M24C****P+TXV            | ---                   | ---                    | 14.50 | 12.50 | 23,800                          | 17,600                  | 850  | 3/4                    | 3/8    | 3/4     | 3/8    | 3/4                   | 3/8    | ---                       | A2TXV01                      |
|               | RBCS2M24C****T                | ---                   | ---                    | 14.50 | 12.50 | 23,800                          | 17,600                  | 850  | 3/4                    | 3/8    | 3/4     | 3/8    | 3/4                   | 3/8    | ---                       | A2TXV01                      |
|               | RBCS2M24V****P+TXV            | ---                   | ---                    | 15.00 | 13.50 | 24,000                          | 17,600                  | 850  | 3/4                    | 3/8    | 3/4     | 3/8    | 3/4                   | 3/8    | ---                       | A2TXV01                      |
| 2AC14**30P    | E(C,H,M,U)1P36B+TXV           | E(C,H,M,U)2T36B       | CG80*C***V12B          | 15.00 | 13.00 | 28,600                          | 20,900                  | 1050 | 3/4                    | 3/8    | 3/4     | 3/8    | 3/4                   | 3/8    | ---                       | A2TXV01                      |
|               | E(C,H,M,U)1P36B+TXV           | E(C,H,M,U)2T36B       | CG80*C***V14B          | 15.00 | 13.00 | 28,600                          | 20,900                  | 1050 | 3/4                    | 3/8    | 3/4     | 3/8    | 3/4                   | 3/8    | ---                       | A2TXV01                      |
|               | E(C,H,M,U)1P36B+TXV           | E(C,H,M,U)2T36B       | CG95*C***V12B          | 15.00 | 13.00 | 28,600                          | 20,900                  | 1050 | 3/4                    | 3/8    | 3/4     | 3/8    | 3/4                   | 3/8    | ---                       | A2TXV01                      |
|               | E(C,H,M,U)1P36B+TXV           | E(C,H,M,U)2T36B       | CG95*C***V14B          | 15.00 | 13.00 | 28,600                          | 20,900                  | 1050 | 3/4                    | 3/8    | 3/4     | 3/8    | 3/4                   | 3/8    | ---                       | A2TXV01                      |
|               | RBCS2M30C****P+TXV            | ---                   | ---                    | 14.00 | 12.50 | 28,600                          | 20,900                  | 1050 | 3/4                    | 3/8    | 3/4     | 3/8    | 3/4                   | 3/8    | ---                       | A2TXV01                      |
|               | RBCS2M30C****T                | ---                   | ---                    | 14.00 | 12.50 | 28,600                          | 20,900                  | 1050 | 3/4                    | 3/8    | 3/4     | 3/8    | 3/4                   | 3/8    | ---                       | A2TXV01                      |
|               | RBCS2M36V****P+TXV            | ---                   | ---                    | 15.00 | 13.50 | 29,000                          | 21,200                  | 1050 | 3/4                    | 3/8    | 3/4     | 3/8    | 3/4                   | 3/8    | ---                       | A2TXV01                      |

\*\* = B, L, BC, LC  
\* = B, L

<sup>1</sup>Certified in accordance with Unitary Air Conditioner Certification Program, which is based on ARI Standard 210/240.

<sup>2</sup>Required to achieve ARI rating.

A blower time delay is required to achieve ARI rating. This feature is standard on all Allied Air Enterprises furnace and air handler products.

Cooling Performance with Air Handlers and Furnaces 36, 42, 48, 60

| Outdoor Model | Indoor Model                  |                       |                        | SEER  | EER   | Rated ARI Capacity <sup>1</sup> | Rated Sensible Capacity | CFM  | Refrigerant Connection |        |         |        | Refrigerant Line Size |        | Indoor Metering Device    |                              |
|---------------|-------------------------------|-----------------------|------------------------|-------|-------|---------------------------------|-------------------------|------|------------------------|--------|---------|--------|-----------------------|--------|---------------------------|------------------------------|
|               | Piston or Field Installed TXV | Factory Installed TXV | Variable Speed Furnace |       |       |                                 |                         |      | Outdoor                |        | Indoor  |        | Suction               | Liquid | Req'd Indoor <sup>2</sup> | Optional Field Installed TXV |
|               |                               |                       |                        |       |       |                                 |                         |      | Suction                | Liquid | Suction | Liquid |                       |        |                           |                              |
| 2AC14**36P    | E(C,H,M,U)1P36B+TXV           | E(C,H,M,U)2T36B       | CG80*C***V12B          | 15.00 | 13.00 | 34,600                          | 25,300                  | 1250 | 3/4                    | 3/8    | 3/4     | 3/8    | 3/4                   | 3/8    | ---                       | A2TXV01                      |
|               | E(C,H,M,U)1P36B+TXV           | E(C,H,M,U)2T36B       | CG80*C***V14B          | 15.00 | 13.00 | 34,600                          | 25,300                  | 1250 | 3/4                    | 3/8    | 3/4     | 3/8    | 3/4                   | 3/8    | ---                       | A2TXV01                      |
|               | E(C,H,M,U)1P36B+TXV           | E(C,H,M,U)2T36B       | CG95*C***V12B          | 15.00 | 13.00 | 34,600                          | 25,300                  | 1250 | 3/4                    | 3/8    | 3/4     | 3/8    | 3/4                   | 3/8    | ---                       | A2TXV01                      |
|               | E(C,H,M,U)1P36B+TXV           | E(C,H,M,U)2T36B       | CG95*C***V14B          | 15.00 | 13.00 | 34,600                          | 25,300                  | 1250 | 3/4                    | 3/8    | 3/4     | 3/8    | 3/4                   | 3/8    | ---                       | A2TXV01                      |
|               | E(C,H,M,U)1P43B+TXV           | E(C,H,M,U)2T43B       | CG80*C***V14B          | 15.00 | 13.50 | 34,800                          | 25,400                  | 1250 | 3/4                    | 3/8    | 3/4     | 3/8    | 3/4                   | 3/8    | ---                       | A2TXV01                      |
|               | E(C,H,M,U)1P43B+TXV           | E(C,H,M,U)2T43B       | CG95*C***V12B          | 15.00 | 13.50 | 34,800                          | 25,400                  | 1250 | 3/4                    | 3/8    | 3/4     | 3/8    | 3/4                   | 3/8    | ---                       | A2TXV01                      |
|               | E(C,H,M,U)1P43B+TXV           | E(C,H,M,U)2T43B       | CG95*C***V14B          | 15.00 | 13.50 | 34,800                          | 25,400                  | 1250 | 3/4                    | 3/8    | 3/4     | 3/8    | 3/4                   | 3/8    | ---                       | A2TXV01                      |
|               | RBCS2M36C****P+TXV            | ---                   | ---                    | 14.00 | 12.50 | 34,800                          | 25,400                  | 1250 | 3/4                    | 3/8    | 3/4     | 3/8    | 3/4                   | 3/8    | ---                       | A2TXV01                      |
|               | RBCS2M36C****T                | ---                   | ---                    | 14.50 | 12.50 | 34,800                          | 25,400                  | 1250 | 3/4                    | 3/8    | 3/4     | 3/8    | 3/4                   | 3/8    | ---                       | A2TXV01                      |
|               | RBCS2M36V****P+TXV            | ---                   | ---                    | 15.00 | 13.50 | 35,000                          | 25,600                  | 1250 | 3/4                    | 3/8    | 3/4     | 3/8    | 3/4                   | 3/8    | ---                       | A2TXV01                      |
| 2AC14**42P    | E(C,H,M,U)1P49C+TXV           | E(C,H,M,U)2T49C       | CG95*C***V16C          | 15.00 | 13.00 | 40,000                          | 29,200                  | 1450 | 7/8                    | 3/8    | 7/8     | 3/8    | 7/8                   | 3/8    | ---                       | A2TXV02                      |
|               | E(C,H,M,U)1P62C+TXV           | E(C,H,M,U)2T62C       | CG95*C***V16C          | 15.00 | 13.00 | 40,000                          | 29,200                  | 1450 | 7/8                    | 3/8    | 7/8     | 3/8    | 7/8                   | 3/8    | ---                       | A2TXV02                      |
|               | RBCS2M42C****P+TXV            | ---                   | ---                    | 14.00 | 12.00 | 40,000                          | 29,200                  | 1450 | 7/8                    | 3/8    | 7/8     | 3/8    | 7/8                   | 3/8    | ---                       | A2TXV02                      |
|               | RBCS2M42C****T                | ---                   | ---                    | 14.00 | 12.00 | 40,000                          | 29,200                  | 1450 | 7/8                    | 3/8    | 7/8     | 3/8    | 7/8                   | 3/8    | ---                       | A2TXV02                      |
|               | RBCS2M42V****P+TXV            | ---                   | ---                    | 15.00 | 13.00 | 40,500                          | 29,500                  | 1450 | 7/8                    | 3/8    | 7/8     | 3/8    | 7/8                   | 3/8    | ---                       | A2TXV02                      |
| 2AC14*48P     | E(C,H,M,U)1P49C+TXV           | E(C,H,M,U)2T49C       | CG80*C***V20C          | 14.50 | 12.50 | 48,000                          | 34,500                  | 1650 | 3/4                    | 3/8    | 3/4     | 3/8    | 7/8                   | 3/8    | ---                       | A2TXV02                      |
|               | E(C,H,M,U)1P49C+TXV           | E(C,H,M,U)2T49C       | CG95*C***V16C          | 14.50 | 12.50 | 48,000                          | 34,500                  | 1650 | 3/4                    | 3/8    | 3/4     | 3/8    | 7/8                   | 3/8    | ---                       | A2TXV02                      |
|               | E(C,H,M,U)1P49C+TXV           | E(C,H,M,U)2T49C       | CG95*C***V20C          | 14.50 | 12.50 | 48,000                          | 34,500                  | 1650 | 3/4                    | 3/8    | 3/4     | 3/8    | 7/8                   | 3/8    | ---                       | A2TXV02                      |
|               | E(C,H,M,U)1P62C+TXV           | E(C,H,M,U)2T62C       | CG80*C***V20C          | 14.50 | 12.50 | 48,000                          | 34,500                  | 1650 | 3/4                    | 3/8    | 3/4     | 3/8    | 7/8                   | 3/8    | ---                       | A2TXV02                      |
|               | E(C,H,M,U)1P62C+TXV           | E(C,H,M,U)2T62C       | CG95*C***V16C          | 14.50 | 12.50 | 48,000                          | 34,500                  | 1650 | 3/4                    | 3/8    | 3/4     | 3/8    | 7/8                   | 3/8    | ---                       | A2TXV02                      |
|               | E(C,H,M,U)1P62C+TXV           | E(C,H,M,U)2T62C       | CG95*C***V20C          | 14.50 | 12.50 | 48,000                          | 34,500                  | 1650 | 3/4                    | 3/8    | 3/4     | 3/8    | 7/8                   | 3/8    | ---                       | A2TXV02                      |
|               | RBCS2M48C****P+TXV            | ---                   | ---                    | 14.50 | 12.50 | 48,000                          | 34,500                  | 1650 | 7/8                    | 3/8    | 7/8     | 3/8    | 7/8                   | 3/8    | ---                       | A2TXV02                      |
|               | RBCS2M48C****T                | ---                   | ---                    | 14.50 | 12.50 | 48,000                          | 34,500                  | 1650 | 7/8                    | 3/8    | 7/8     | 3/8    | 7/8                   | 3/8    | ---                       | A2TXV02                      |
|               | RBCS2M48V****P+TXV            | ---                   | ---                    | 15.00 | 13.00 | 48,000                          | 34,500                  | 1650 | 7/8                    | 3/8    | 7/8     | 3/8    | 7/8                   | 3/8    | ---                       | A2TXV02                      |
| 2AC14*60P     | E(C,H,U)1P62C+TXV             | ---                   | CG80*C***V20C          | 13.50 | 11.50 | 54,000                          | 41,600                  | 1950 | 7/8                    | 3/8    | 7/8     | 3/8    | 1-1/8                 | 3/8    | ---                       | A2TXV02                      |
|               | RBCS2M60V****P+TXV            | ---                   | ---                    | 14.00 | 12.00 | 54,000                          | 41,600                  | 1950 | 7/8                    | 3/8    | 7/8     | 3/8    | 1-1/8                 | 3/8    | ---                       | A2TXV02                      |

\*\* = B, L, BC, LC  
\* = B, L

<sup>1</sup>Certified in accordance with Unitary Air Conditioner Certification Program, which is based on ARI Standard 210/240.  
<sup>2</sup>Required to achieve ARI rating.  
A blower time delay is required to achieve ARI rating. This feature is standard on all Allied Air Enterprises furnace and air handler products.

### Cooling Performance with Extended Ratings

| Outdoor Model | Indoor Model<br><br>Piston or Field Installed TXV | Indoor Temp DB/WB °F | Outdoor Temp - DB°F |      |      |        |      |      |        |      |      |        |      |      |        |      |      |
|---------------|---|----------------------|---------------------|------|------|--------|------|------|--------|------|------|--------|------|------|--------|------|------|
|               |   |                      | 65                  |      |      | 82     |      |      | 95     |      |      | 105    |      |      | 115    |      |      |
|               |   |                      | Btuh                | S/T  | kW   | Btuh   | S/T  | kW   | Btuh   | S/T  | kW   | Btuh   | S/T  | kW   | Btuh   | S/T  | kW   |
| 2AC14**18P    | E(C,H,M,U)<br>1P23(A,B)+TXV                       | 85/72                | 21,600              | .65  | 1.38 | 20,700 | .70  | 1.57 | 20,200 | .72  | 1.65 | 19,200 | .75  | 1.71 | 17,700 | .75  | 1.77 |
|               |   | 80/67                | 20,400              | .67  | 1.33 | 19,500 | .72  | 1.51 | 19,000 | .74  | 1.58 | 18,000 | .77  | 1.65 | 16,700 | .77  | 1.70 |
|               |   | 75/63                | 18,900              | .72  | 1.28 | 18,000 | .77  | 1.45 | 17,600 | .79  | 1.52 | 16,700 | .82  | 1.58 | 15,500 | .83  | 1.64 |
|               |   | 75/57                | 18,200              | 1.00 | 1.31 | 17,600 | 1.00 | 1.49 | 17,100 | 1.00 | 1.57 | 16,200 | 1.00 | 1.63 | 15,000 | 1.00 | 1.69 |
| 2AC14**24P    | E(C,H,M,U)<br>1P23(A,B)+TXV                       | 85/72                | 26,900              | .70  | 1.66 | 25,700 | .74  | 1.87 | 25,000 | .77  | 1.96 | 23,800 | .80  | 2.03 | 22,000 | .80  | 2.09 |
|               |   | 80/67                | 25,400              | .72  | 1.61 | 24,200 | .77  | 1.81 | 23,600 | .79  | 1.89 | 22,400 | .82  | 1.96 | 20,800 | .83  | 2.02 |
|               |   | 75/63                | 23,500              | .77  | 1.56 | 22,400 | .82  | 1.74 | 21,900 | .84  | 1.82 | 20,800 | .88  | 1.89 | 19,300 | .88  | 1.95 |
|               |   | 75/57                | 22,600              | 1.00 | 1.59 | 21,800 | 1.00 | 1.79 | 21,200 | 1.00 | 1.87 | 20,200 | 1.00 | 1.94 | 18,700 | 1.00 | 2.00 |
| 2AC14**30P    | E(C,H,M,U)<br>1P36(A,B,C)+TXV                     | 85/72                | 32,600              | .65  | 2.10 | 31,100 | .69  | 2.36 | 30,400 | .71  | 2.47 | 28,800 | .74  | 2.56 | 26,700 | .74  | 2.65 |
|               |   | 80/67                | 30,700              | .67  | 2.03 | 29,300 | .71  | 2.28 | 28,800 | .73  | 2.38 | 27,200 | .76  | 2.47 | 25,200 | .76  | 2.55 |
|               |   | 75/63                | 28,500              | .71  | 1.96 | 27,200 | .76  | 2.20 | 26,500 | .78  | 2.30 | 25,200 | .81  | 2.38 | 23,300 | .82  | 2.46 |
|               |   | 75/57                | 27,300              | 1.00 | 2.01 | 26,400 | 1.00 | 2.26 | 25,900 | 1.00 | 2.36 | 24,500 | 1.00 | 2.45 | 22,700 | 1.00 | 2.52 |
| 2AC14**36P    | E(C,H,M,U)<br>1P36(A,B,C)+TXV                     | 85/72                | 39,500              | .64  | 2.53 | 37,600 | .68  | 2.86 | 36,700 | .71  | 2.99 | 34,900 | .73  | 3.10 | 32,300 | .74  | 3.20 |
|               |   | 80/67                | 37,200              | .66  | 2.45 | 35,500 | .70  | 2.76 | 34,600 | .73  | 2.88 | 32,800 | .75  | 2.99 | 30,500 | .76  | 3.08 |
|               |   | 75/63                | 34,500              | .71  | 2.37 | 32,900 | .75  | 2.66 | 32,100 | .78  | 2.78 | 30,500 | .81  | 2.89 | 28,200 | .81  | 2.97 |
|               |   | 75/57                | 33,100              | 1.00 | 2.43 | 32,000 | 1.00 | 2.73 | 31,100 | 1.00 | 2.85 | 29,500 | 1.00 | 2.96 | 27,500 | 1.00 | 3.05 |
| 2AC14*42P     | E(C,H,U)<br>1P49C+TXV                             | 85/72                | 45,600              | .64  | 2.92 | 43,500 | .68  | 3.30 | 42,500 | .70  | 3.46 | 40,300 | .73  | 3.59 | 37,400 | .74  | 3.70 |
|               |   | 80/67                | 43,000              | .66  | 2.83 | 41,000 | .70  | 3.18 | 40,000 | .73  | 3.33 | 38,000 | .75  | 3.46 | 35,200 | .76  | 3.57 |
|               |   | 75/63                | 39,800              | .71  | 2.73 | 38,000 | .75  | 3.07 | 37,100 | .78  | 3.22 | 35,200 | .81  | 3.34 | 32,600 | .81  | 3.44 |
|               |   | 75/57                | 38,300              | 1.00 | 2.80 | 36,900 | 1.00 | 3.15 | 36,000 | 1.00 | 3.30 | 34,200 | 1.00 | 3.42 | 31,700 | 1.00 | 3.53 |
| 2AC14*48P     | E(C,H,U)<br>1P349C+TXV                            | 85/72                | 54,700              | .68  | 3.41 | 52,200 | .72  | 3.95 | 51,000 | .75  | 4.18 | 48,400 | .78  | 4.37 | 44,800 | .78  | 4.54 |
|               |   | 80/67                | 51,600              | .70  | 3.27 | 49,200 | .75  | 3.79 | 48,000 | .77  | 4.00 | 45,600 | .80  | 4.18 | 42,200 | .81  | 4.34 |
|               |   | 75/63                | 47,800              | .75  | 3.13 | 45,600 | .80  | 3.62 | 44,500 | .82  | 3.83 | 42,300 | .85  | 4.00 | 39,100 | .86  | 4.15 |
|               |   | 75/57                | 45,900              | 1.00 | 3.23 | 44,300 | 1.00 | 3.75 | 43,200 | 1.00 | 3.96 | 41,000 | 1.00 | 4.14 | 38,000 | 1.00 | 4.30 |
| 2AC14*60P     | E(C,H,U)<br>1P62C+TXV                             | 85/72                | 61,100              | .68  | 4.27 | 58,200 | .73  | 4.82 | 56,800 | .75  | 5.04 | 54,000 | .78  | 5.24 | 50,000 | .78  | 5.40 |
|               |   | 80/67                | 57,500              | .86  | 4.02 | 54,800 | .75  | 4.65 | 53,500 | .77  | 4.86 | 50,800 | .80  | 5.05 | 47,100 | .81  | 5.20 |
|               |   | 75/63                | 51,800              | .84  | 3.92 | 50,800 | .80  | 4.49 | 49,600 | .82  | 4.69 | 45,700 | .84  | 4.77 | 43,600 | .86  | 5.02 |
|               |   | 75/57                | 51,200              | 1.00 | 3.98 | 49,300 | 1.00 | 4.60 | 48,200 | 1.00 | 4.81 | 45,700 | 1.00 | 5.00 | 42,400 | 1.00 | 5.15 |

\*\* = B, L, BC, LC  
\* = B, L

Note: Extended data shown is actual for models listed and typical for all AHRI matches.

## Accessories

| Description              | Where Used             | Catalog #                 |
|--------------------------|------------------------|---------------------------|
| Hard Start               | 2AC14**18, 24, 30, *42 | 12W19 (Factory Installed) |
| Hard Start               | 2AC14**36, *48, *60    | 12W20                     |
| Low Pressure Switch      | All models             | 14W08                     |
| High Pressure Switch     | All models             | 14W09                     |
| Low Ambient              | All models             | 14W11                     |
| Crankcase Heater         | 2AC14**18, 24, 30, *42 | 14W04                     |
| Crankcase Heater         | 2AC14**36, *48, *60    | 14W05                     |
| Short Cycle Protection   | All models             | 14W07                     |
| Liquid Line Solenoid     | All models             | 20443001                  |
| Compressor Sound Blanket | 2AC14**18, 24, 30, *42 | 14W03                     |
| Compressor Sound Blanket | 2AC14**36, *48, *60    | 14W00                     |
| TXV Kit                  | 2AC14**18, 24, 30, 36  | A2TXV01                   |
| TXV Kit                  | 2AC14*42, *48, *60     | A2TXV02                   |

\*\* = B, L, BC, LC

\* = B, L

# Ducane™

## AIR CONDITIONING AND HEATING

www.ducanehvac.com  
1-800-448-5872



All specifications and illustrations  
subject to change without notice  
and without incurring obligations.