

4HP13

PRODUCT SPECIFICATIONS

13 SEER SPLIT SYSTEM HEAT PUMP

FORM NO. 4HP13-100 (07/2014)



- R410A Refrigerant
- High-quality condenser coil with copper tubing and enhanced louvered fin for maximum heat transfer capacity
- Top discharge directs hot air and sound away from living area and shrubbery
- All units run tested
- Available with louvered panel or wire guard coil protection option
- Easy access to electrical panels, pre-wired for easy hook-up
- Bi-directional liquid line filter drier factory installed
- Discharge muffler for quiet operation
- Reliable, solid state time/temperature defrost control, with field selectable 30/60/90 minute intervals
- Defrost control is Quiet Shift™ capable
- Low pressure switch factory installed for loss of charge protection
- Integrated control with LED diagnostics
- Short cycle protection factory installed
- Charged for 15 feet of interconnecting tubing
- All units are ETL and ETL C approved and AHRI certified

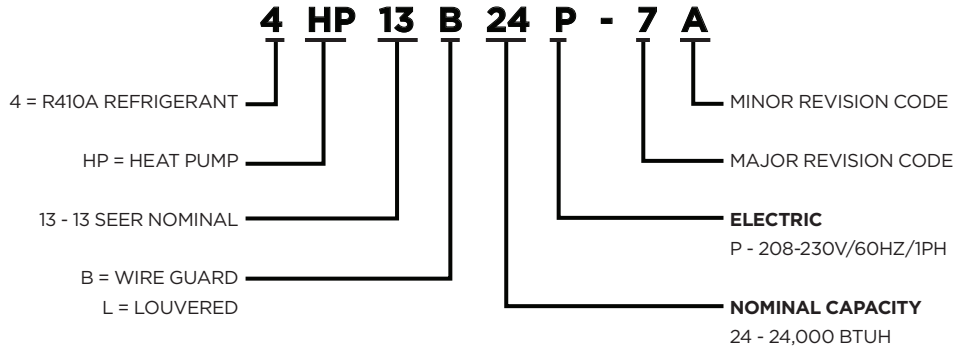
WARRANTY

10-Year limited warranty on compressor, 10-Year limited warranty on all parts, extended warranty available*

**Warranty provides for a total of 10 years of limited warranty coverage (Standard 5-year limited parts warranty plus an additional 5-year limited extended parts warranty). Warranty must be registered online within 60 days of installation to qualify for 10-year coverage. Unregistered equipment defaults to 5-year coverage. Lifetime limited heat exchanger warranty applies to registered equipment only (Standard 20 years with no online registration). See full warranty at www.alliedair.com for terms, conditions and exclusions.*



MODEL NUMBER GUIDE



PHYSICAL AND ELECTRICAL DATA

Model	Volts/Hz/Phase	Voltage Range	Min. Circuit Amp.	Max. Over-current Device (amps)	Compressor		Fan Motor			Refrig. Charge (oz.)	Weight (lbs.)	
					Rated Load (amps)	Locked Rotor (amps)	Rated Load (amps)	Rated HP	Nom. RPM		Wire Guard	Louvered
4HP13*18P-7	208-230/60/1	197-253	11.9	20	9.0	48	0.7	1/10	1075	106	142	153
4HP13*24P-7	208-230/60/1	197-253	14.2	20	10.7	53	0.8	1/10	1075	101	147	158
4HP13*30P-7	208-230/60/1	197-253	16.3	25	12.4	59	0.7	1/6	825	108	156	168
4HP13*36P-7	208-230/60/1	197-253	19.9	35	15.2	70	0.9	1/6	825	114	172	187
4HP13*42P-7	208-230/60/1	197-253	27.8	45	21.1	90	1.4	1/4	825	134	207	224
4HP13*48P-7	208-230/60/1	197-253	31.7	50	24.1	100	1.5	1/4	825	198	223	236
4HP13*60P-7	208-230/60/1	197-253	36.3	60	27.6	120	1.7	1/3	825	210	227	252

* = B or L
 B = Wire Guard
 L = Louvered

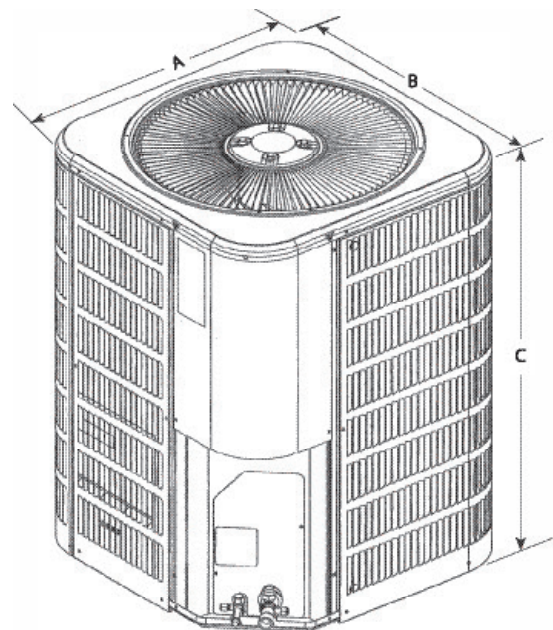
Note: Weights listed are unit weights with packaging
 + Factory charged for 15 feet of line set. Adjust per installation instructions.

UNIT DIMENSIONS & SOUND RATINGS

Model	Dimensions			Sound Ratings (dBa)
	A-Width (in.)	B-Depth (in.)	C-Height (in.)	
4HP13*18P-7	24.25	24.25	32.5	73
4HP13*24P-7	24.25	24.25	32.5	73
4HP13*30P-7	28.25	28.25	28.5	74
4HP13*36P-7	28.25	28.25	36.5	74
4HP13*42P-7	28.25	28.25	42.5	76
4HP13*48P-7	28.25	28.25	32.5	76
4HP13*60P-7	28.25	28.25	36.5	76

* = B or L B = Wire Guard L = Louvered

Note: Dimensions listed are unit sizes without packaging.



COOLING PERFORMANCE WITH EVAPORATOR COILS

Outdoor Model	Indoor Model	Cooling				Heating				CFM	Refrigerant Connection				Refrig. Line Size		Indoor Expansion Device		
		SEER	EER	ARI Rated Capacity ¹ BTUH	Sensible Capacity BTUH	HSPF	47		17		Outdoor		Indoor		Suction	Liquid	Piston ²	TXV	
							Btuh	COP	Btuh		COP	Suction	Liquid	Suction					Liquid
4HP13*18P-7	E*1P18(A,B)+H4TXV01+TDR	17600	12500	11.00	13.00	7.70	16600	3.20	10000	2.00	650	3/4	3/8	3/4	3/8	3/4	3/8	NA	H4TXV01
	E*1P24(A,B)+H4TXV01+TDR	17600	12500	11.00	13.00	7.70	16600	3.20	10000	2.00	650	3/4	3/8	3/4	3/8	3/4	3/8	NA	
4HP13*24P-7	E(C,M,U)1P24(A,B)+TDR	23000	16800	11.00	13.00	7.70	21400	3.30	13000	2.20	850	3/4	3/8	3/4	3/8	3/4	3/8	57	
	E*1P23(A,B)+TDR	23000	16800	11.00	13.00	7.70	21400	3.30	13000	2.20	850	3/4	3/8	3/4	3/8	3/4	3/8	57	
4HP13*30P-7	E*1P29(A,B)+TDR	29000	21500	11.00	13.00	7.70	26800	3.40	17000	2.20	1000	3/4	3/8	3/4	3/8	3/4	3/8	62	
	E*1P30(B,C)+TDR	29000	21500	11.00	13.00	7.70	26800	3.40	17000	2.20	1000	3/4	3/8	3/4	3/8	3/4	3/8	62	
4HP13*36P-7	E*1P30(B,C)+TDR	34600	24900	11.00	13.00	7.70	33000	3.40	18000	2.20	1275	3/4	3/8	3/4	3/8	3/4	3/8	71	
	E*1P36(B,C)+TDR	34600	24900	11.00	13.00	7.70	33000	3.40	18000	2.20	1275	3/4	3/8	3/4	3/8	3/4	3/8	71	
4HP13*42P-7	E*1P36(B,C)+TDR	40500	29200	11.00	13.00	7.70	39000	3.50	25000	2.20	1400	7/8	3/8	7/8	3/8	7/8	3/8	76	
	E*1P43(B,C)+TDR	40500	29200	11.00	13.00	7.70	39000	3.50	25000	2.20	1400	7/8	3/8	7/8	3/8	7/8	3/8	76	
4HP13*48P-7	E*1P50C+TDR	48000	34500	11.00	13.00	7.70	44500	3.20	28000	2.40	1600	7/8	3/8	7/8	3/8	7/8	3/8	80	H4TXV02
4HP13*60P-7	E*1P49(B,C)+H4TXV02+TDR	57000	40500	11.00	13.00	7.70	54000	3.30	34000	2.30	1850	7/8	3/8	7/8	3/8	11/8	3/8	NA	H4TXV03
	E*1P62C+H4TXV02+TDR	57000	40500	11.00	13.00	7.70	54000	3.30	34000	2.30	1850	7/8	3/8	7/8	3/8	11/8	3/8	NA	
	E*1P62D+H4TXV02+TDR	57000	40500	11.00	13.00	7.70	54000	3.30	34000	2.30	1850	7/8	3/8	7/8	3/8	11/8	3/8	NA	

Note:

Certified in accordance with Unitary Air Conditioner Certification Program, which is based on AHRI Standard 210/240. Required to achieve AHRI rating. If NA (Not Applicable) is in the piston column, then TXV is required. A blower time delay relay is standard on all Allied Air Enterprises furnaces and AH products.

* = B or L

B = Wire Guard

L = Louvered

COOLING PERFORMANCE WITH AIR HANDLERS AND FURNACES

Outdoor Model	Indoor Model		Cooling				Heating				CFM	
	Evaporator Coil or Air Handler ³	Furnaces	SEER	EER	ARI Rated Capacity ¹	Sensible Capacity	HSPF	47		17		
								Btuh	COP	Btuh		COP
4HP13*18P-7	BCE3M18C****P+TXV		17600	12500	11.00	13.00	7.70	16600	3.20	10000	2.00	650
	BCS2M24V****P+TXV		17600	12500	11.00	14.00	7.70	16600	3.20	10000	2.00	650
	BCS3M18C****P+TXV		17600	12500	11.00	13.00	7.70	16600	3.20	10000	2.00	650
	BCS3M24E****P+H4TXV01		17600	12500	11.00	14.00	7.70	16600	3.20	10000	2.00	650
	E(C,H,M,U)1P18A+TXV	80G2UH070AV12*	17600	12500	11.00	14.00	7.70	16600	3.20	10000	2.00	650
	E(C,H,M,U)1P18A+TXV	80G1DF045AE12	17600	12500	11.00	13.50	7.70	16600	3.20	10000	2.00	650
	E(C,H,M,U)1P18A+TXV	80G1UH045AE12	17600	12500	11.00	13.50	7.70	16600	3.20	10000	2.00	650
	E(C,H,M,U)1P18B+TXV	80G1DF070BE12	17600	12500	11.00	13.50	7.70	16600	3.20	10000	2.00	650
	E(C,H,M,U)1P18B+TXV	80G1UH070BE12	17600	12500	11.00	13.50	7.70	16600	3.20	10000	2.00	650
	E(C,H,M,U)1P18B+TXV	95G1DF045BE12	17600	12500	11.00	13.50	7.70	16600	3.20	10000	2.00	650
	E(C,H,M,U)1P18B+TXV	95G1UH045BE12	17600	12500	11.00	13.50	7.70	16600	3.20	10000	2.00	650
	E(C,H,M,U)1P18B+TXV	95G1UH070BE12	17600	12500	11.00	13.50	7.70	16600	3.20	10000	2.00	650
	E(C,H,M,U)1P18B+TXV	95G2DF045BV12	17600	12500	11.00	13.50	7.70	16600	3.20	10000	2.00	650
	E(C,H,M,U)1P18B+TXV	95G2DF070BV16	17600	12500	11.00	14.00	7.70	16600	3.20	10000	2.00	650
	E(C,H,M,U)1P18B+TXV	95G2UH045BV12	17600	12500	11.00	14.00	7.70	16600	3.20	10000	2.00	650
	E(C,H,M,U)1P18B+TXV	95G2UH070BV12	17600	12500	11.00	14.00	7.70	16600	3.20	10000	2.00	650
	E(C,H,M,U)1P18B+TXV	80G2UH090BV16*	17600	12500	11.00	14.00	7.70	16600	3.20	10000	2.00	650
	E(C,H,M,U)1P18B+TXV	95G2DF045BE12	17600	12500	11.00	13.50	7.70	16600	3.20	10000	2.00	650
	E(C,H,M,U)1P18B+TXV	95G2DF070BE16	17600	12500	11.00	13.50	7.70	16600	3.20	10000	2.00	650
	E(C,H,M,U)1P18B+TXV	95G2UH045BE12	17600	12500	11.00	13.50	7.70	16600	3.20	10000	2.00	650
	E(C,H,M,U)1P18B+TXV	95G2UH070BE12	17600	12500	11.00	13.50	7.70	16600	3.20	10000	2.00	650
	E(C,H,M,U)1P24A+TXV	80G2UH070AV12*	17600	12500	11.00	14.00	7.70	16600	3.20	10000	2.00	650
	E(C,H,M,U)1P24A+TXV	80G1DF045AE12	17600	12500	11.00	13.50	7.70	16600	3.20	10000	2.00	650
	E(C,H,M,U)1P24A+TXV	80G1UH045AE12	17600	12500	11.00	13.50	7.70	16600	3.20	10000	2.00	650
	E(C,H,M,U)1P24B+TXV	80G1DF070BE12	17600	12500	11.00	13.50	7.70	16600	3.20	10000	2.00	650
	E(C,H,M,U)1P24B+TXV	80G1UH070BE12	17600	12500	11.00	13.50	7.70	16600	3.20	10000	2.00	650
	E(C,H,M,U)1P24B+TXV	95G1DF045BE12	17600	12500	11.00	13.50	7.70	16600	3.20	10000	2.00	650
	E(C,H,M,U)1P24B+TXV	95G1UH045BE12	17600	12500	11.00	13.50	7.70	16600	3.20	10000	2.00	650

Note:

Certified in accordance with Unitary Air Conditioner Certification Program, which is based on AHRI Standard 210/240. Required to achieve AHRI rating. If NA (Not Applicable) is in the piston column, then TXV is required. A blower time delay relay is standard on all Allied Air Enterprises furnaces and AH products.

* = B or L

B = Wire Guard

L = Louvered

COOLING PERFORMANCE WITH AIR HANDLERS AND FURNACES

Outdoor Model	Indoor Model		Cooling				Heating				CFM	
	Evaporator Coil or Air Handler ³	Furnaces	SEER	EER	ARI Rated Capacity ¹	Sensible Capacity	HSPF	47		17		
								Btuh	COP	Btuh		COP
4HP13*18P-7	E(C,H,M,U)1P24B+TXV	95G1UH070BE12	17600	12500	11.00	13.50	7.70	16600	3.20	10000	2.00	650
	E(C,H,M,U)1P24B+TXV	95G2DF045BV12	17600	12500	11.00	13.50	7.70	16600	3.20	10000	2.00	650
	E(C,H,M,U)1P24B+TXV	95G2DF070BV16	17600	12500	11.00	14.00	7.70	16600	3.20	10000	2.00	650
	E(C,H,M,U)1P24B+TXV	95G2UH045BV12	17600	12500	11.00	14.00	7.70	16600	3.20	10000	2.00	650
	E(C,H,M,U)1P24B+TXV	95G2UH070BV12	17600	12500	11.00	14.00	7.70	16600	3.20	10000	2.00	650
	E(C,H,M,U)1P24B+TXV	80G2UH090BV16*	17600	12500	11.00	14.00	7.70	16600	3.20	10000	2.00	650
	E*1P18(A,B)+H4TXV01+TDR	EFV08BC	18000	12500	11.00	14.00	7.70	17000	3.20	10000	2.00	650
	E*1P24B+H4TXV01	EFV08BC	18000	12500	11.00	14.00	7.70	17000	3.20	10000	2.00	650
	E*1P24B+H4TXV01	95G2DF045BE12	17600	12500	11.00	13.50	7.70	16600	3.20	10000	2.00	650
	E*1P24B+H4TXV01	95G2DF070BE16	17600	12500	11.00	13.50	7.70	16600	3.20	10000	2.00	650
	E*1P24B+H4TXV01	95G2UH045BE12	17600	12500	11.00	13.50	7.70	16600	3.20	10000	2.00	650
	E*1P24B+H4TXV01	95G2UH070BE12	17600	12500	11.00	13.50	7.70	16600	3.20	10000	2.00	650
4HP13*24P-7	BCE3M24C****P		23000	16800	11.00	13.00	7.70	21400	3.30	13000	2.20	850
	BCS2M24V****P		23000	16800	11.00	14.00	7.70	21400	3.30	13000	2.20	850
	BCS3M24C****P		23000	16800	11.00	13.00	7.70	21400	3.30	13000	2.20	850
	BCS3M30E****P		23000	16800	11.00	14.00	7.70	21400	3.30	13000	2.20	850
	E(C,H,M,U)1P23A	80G2UH070AV12*	23000	16800	11.00	14.00	7.70	21400	3.30	13000	2.20	850
	E(C,H,M,U)1P23A	80G1DF045AE12	23000	16800	11.00	14.00	7.70	21400	3.30	13000	2.20	850
	E(C,H,M,U)1P23A	80G1UH045AE12	23000	16800	11.00	13.50	7.70	21400	3.30	13000	2.20	850
	E(C,H,M,U)1P23B	80G1DF070BE12	23000	16800	11.00	14.00	7.70	21400	3.30	13000	2.20	850
	E(C,H,M,U)1P23B	80G1UH070BE12	23000	16800	11.00	14.00	7.70	21400	3.30	13000	2.20	850
	E(C,H,M,U)1P23B	95G1DF045BE12	23000	16800	11.00	13.50	7.70	21400	3.30	13000	2.20	850
	E(C,H,M,U)1P23B	95G1UH045BE12	23000	16800	11.00	13.50	7.70	21400	3.30	13000	2.20	850
	E(C,H,M,U)1P23B	95G1UH070BE12	23000	16800	11.00	13.50	7.70	21400	3.30	13000	2.20	850
	E(C,H,M,U)1P23B	95G2DF045BV12	23000	16800	11.00	14.00	7.70	21400	3.30	13000	2.20	850
	E(C,H,M,U)1P23B	95G2DF070BV16	23000	16800	11.00	14.00	7.70	21400	3.30	13000	2.20	850
	E(C,H,M,U)1P23B	95G2UH045BV12	23000	16800	11.00	14.00	7.70	21400	3.30	13000	2.20	850
	E(C,H,M,U)1P23B	95G2UH070BV12	23000	16800	11.00	14.00	7.70	21400	3.30	13000	2.20	850
E(C,H,M,U)1P23B	80G2UH090BV16*	23000	16800	11.00	13.50	7.70	21400	3.30	13000	2.20	850	

Note:

Certified in accordance with Unitary Air Conditioner Certification Program, which is based on AHRI Standard 210/240. Required to achieve AHRI rating. If NA (Not Applicable) is in the piston column, then TXV is required. A blower time delay relay is standard on all Allied Air Enterprises furnaces and AH products.

* = B or L

B = Wire Guard

L = Louvered

COOLING PERFORMANCE WITH AIR HANDLERS AND FURNACES

Outdoor Model	Indoor Model		Cooling				Heating				CFM	
	Evaporator Coil or Air Handler ³	Furnaces	SEER	EER	ARI Rated Capacity ¹	Sensible Capacity	HSPF	47		17		
								Btuh	COP	Btuh		COP
4HP13*24P-7	E(C,H,M,U)1P23B	95G2DF045BE12	23000	16800	11.00	13.50	7.70	21400	3.30	13000	2.20	850
	E(C,H,M,U)1P23B	95G2DF070BE16	23000	16800	11.00	13.50	7.70	21400	3.30	13000	2.20	850
	E(C,H,M,U)1P23B	95G2UH045BE12	23000	16800	11.00	13.50	7.70	21400	3.30	13000	2.20	850
	E(C,H,M,U)1P24A	80G2UH070AV12*	23000	16800	11.00	14.00	7.70	21400	3.30	13000	2.20	850
	E(C,H,M,U)1P24A	80G1DF045AE12	23000	16800	11.00	14.00	7.70	21400	3.30	13000	2.20	850
	E(C,H,M,U)1P24A	80G1UH045AE12	23000	16800	11.00	14.00	7.70	21400	3.30	13000	2.20	850
	E(C,H,M,U)1P24B	80G1DF070BE12	23000	16800	11.00	14.00	7.70	21400	3.30	13000	2.20	850
	E(C,H,M,U)1P24B	80G1UH070BE12	23000	16800	11.00	14.00	7.70	21400	3.30	13000	2.20	850
	E(C,H,M,U)1P24B	95G1DF045BE12	23000	16800	11.00	14.00	7.70	21400	3.30	13000	2.20	850
	E(C,H,M,U)1P24B	95G1UH045BE12	23000	16800	11.00	14.00	7.70	21400	3.30	13000	2.20	850
	E(C,H,M,U)1P24B	95G1UH070BE12	23000	16800	11.00	14.00	7.70	21400	3.30	13000	2.20	850
	E(C,H,M,U)1P24B	95G2DF045BV12	23000	16800	11.00	14.00	7.70	21400	3.30	13000	2.20	850
	E(C,H,M,U)1P24B	95G2DF070BV16	23000	16800	11.00	14.00	7.70	21400	3.30	13000	2.20	850
	E(C,H,M,U)1P24B	95G2UH045BV12	23000	16800	11.00	14.00	7.70	21400	3.30	13000	2.20	850
	E(C,H,M,U)1P24B	95G2UH070BV12	23000	16800	11.00	14.00	7.70	21400	3.30	13000	2.20	850
	E(C,H,M,U)1P24B	80G2UH090BV16*	23000	16800	11.00	13.50	7.70	21400	3.30	13000	2.20	850
	E(C,H,M,U)1P24B	95G2DF045BE12	23000	16800	11.00	14.00	7.70	21400	3.30	13000	2.20	850
	E(C,H,M,U)1P24B	95G2DF070BE16	23000	16800	11.00	14.00	7.70	21400	3.30	13000	2.20	850
	E(C,H,M,U)1P24B	95G2UH045BE12	23000	16800	11.00	14.00	7.70	21400	3.30	13000	2.20	850
	E*1P23B+H4TXV01	EFV08BC	23000	16800	11.00	14.00	7.70	21600	3.30	13000	2.20	850
E*1P23B+H4TXV01	EFV12BC	23000	16800	11.00	14.00	7.70	21600	3.30	13000	2.20	850	
E*1P24B+H4TXV01	EFV12BC	23000	16800	11.00	14.00	7.70	21600	3.30	13000	2.20	850	
E*1P24B+H4TXV01	EFV08BC	23000	16800	11.00	14.00	7.70	21600	3.30	13000	2.20	850	
4HP13*30P-7	BCE3M30C****P		28000	21500	11.00	13.00	7.70	26800	3.40	17000	2.20	950
	BCS2M36V****P		29000	21500	11.00	14.00	7.70	26800	3.40	17000	2.20	1000
	BCS3M30C****P		28000	21500	11.00	13.00	7.70	26800	3.40	17000	2.20	950
	BCS3M30E****P		28000	21500	11.00	14.00	7.70	26800	3.40	17000	2.20	950
	E(C,H,M,U)1P29A	80G2UH070AV12*	29000	21500	11.00	13.50	7.70	26800	3.40	17000	2.20	1000
	E(C,H,M,U)1P29A	80G1DF045AE12	29000	21500	11.00	13.50	7.70	26800	3.40	17000	2.20	1000
	E(C,H,M,U)1P29A	80G1UH045AE12	29000	21500	11.00	14.00	7.70	26800	3.40	17000	2.20	1000

Note:

Certified in accordance with Unitary Air Conditioner Certification Program, which is based on AHRI Standard 210/240. Required to achieve AHRI rating. If NA (Not Applicable) is in the piston column, then TXV is required. A blower time delay relay is standard on all Allied Air Enterprises furnaces and AH products.

* = B or L

B = Wire Guard

L = Louvered

COOLING PERFORMANCE WITH AIR HANDLERS AND FURNACES

Outdoor Model	Indoor Model		Cooling				Heating				CFM	
	Evaporator Coil or Air Handler ²	Furnaces	SEER	EER	ARI Rated Capacity ¹	Sensible Capacity	HSPF	47		17		
								Btuh	COP	Btuh		COP
4HP13*30P-7	E(C,H,M,U)1P29B	80G1DF070BE12	29000	21500	11.00	14.00	7.70	26800	3.40	17000	2.20	1000
	E(C,H,M,U)1P29B	80G1DF090BE16	29000	21500	11.00	14.00	7.70	26800	3.40	17000	2.20	1000
	E(C,H,M,U)1P29B	80G1UH070BE12	29000	21500	11.00	14.00	7.70	26800	3.40	17000	2.20	1000
	E(C,H,M,U)1P29B	80G1UH090BE16	29000	21500	11.00	14.00	7.70	26800	3.40	17000	2.20	1000
	E(C,H,M,U)1P29B	95G1DF045BE12	29000	21500	11.00	13.50	7.70	26800	3.40	17000	2.20	1000
	E(C,H,M,U)1P29B	95G1DF070BE16	29000	21500	11.00	14.00	7.70	26800	3.40	17000	2.20	1000
	E(C,H,M,U)1P29B	95G1UH045BE12	29000	21500	11.00	13.50	7.70	26800	3.40	17000	2.20	1000
	E(C,H,M,U)1P29B	95G1UH070BE12	29000	21500	11.00	13.50	7.70	26800	3.40	17000	2.20	1000
	E(C,H,M,U)1P29B	95G2DF045BV12	29000	21500	11.00	14.00	7.70	26800	3.40	17000	2.20	1000
	E(C,H,M,U)1P29B	95G2DF070BV16	29000	21500	11.00	13.50	7.70	26800	3.40	17000	2.20	1000
	E(C,H,M,U)1P29B	95G2UH045BV12	29000	21500	11.00	13.50	7.70	26800	3.40	17000	2.20	1000
	E(C,H,M,U)1P29B	95G2UH070BV12	29000	21500	11.00	14.00	7.70	26800	3.40	17000	2.20	1000
	E(C,H,M,U)1P29B	80G2UH090BV16*	29000	21500	11.00	13.50	7.70	26800	3.40	17000	2.20	1000
	E(C,H,M,U)1P29B	95G2DF045BE12	29000	21500	11.00	13.50	7.70	26800	3.40	17000	2.20	1000
	E(C,H,M,U)1P29B	95G2DF070BE16	29000	21500	11.00	13.50	7.70	26800	3.40	17000	2.20	1000
	E(C,H,M,U)1P29B	95G2UH045BE12	29000	21500	11.00	13.50	7.70	26800	3.40	17000	2.20	1000
E(C,H,M,U)1P29B	95G2UH070BE12	29000	21500	11.00	13.50	7.70	26800	3.40	17000	2.20	1000	
4HP13*36P-7	BCE3M36C****P		34600	24900	11.00	13.00	7.70	33000	3.40	18000	2.20	1270
	BCS2M36V****P		34600	24900	11.00	14.00	7.70	33000	3.40	18000	2.20	1275
	BCS3M36C****P		34600	24900	11.00	13.00	7.70	33000	3.40	18000	2.20	1270
	BCS3M36E****P		34600	24900	11.00	14.00	7.70	33000	3.40	18000	2.20	1270
	E(C,H,M,U)1P30A	80G1DF045AE12	34600	24900	11.00	13.50	7.70	32800	3.40	18000	2.20	1275
	E(C,H,M,U)1P30B	80G1DF070BE12	34600	24900	11.00	13.50	7.70	32800	3.40	18000	2.20	1275
	E(C,H,M,U)1P30B	80G1DF090BE16	34600	24900	11.00	13.50	7.70	32800	3.40	18000	2.20	1275
	E(C,H,M,U)1P30B	80G1UH070BE12	34600	24900	11.00	13.50	7.70	32800	3.40	18000	2.20	1275
	E(C,H,M,U)1P30B	80G1UH090BE16	34600	24900	11.00	14.00	7.70	32800	3.40	18000	2.20	1275
	E(C,H,M,U)1P30B	95G2DF045BV12	34600	24900	11.00	13.50	7.70	32800	3.40	18000	2.20	1275
	E(C,H,M,U)1P30B	95G2DF070BV16	34600	24900	11.00	13.50	7.70	32800	3.40	18000	2.20	1275
	E(C,H,M,U)1P30B	95G2UH045BV12	34600	24900	11.00	13.50	7.70	32800	3.40	18000	2.20	1275

Note:

Certified in accordance with Unitary Air Conditioner Certification Program, which is based on AHRI Standard 210/240. Required to achieve AHRI rating. If NA (Not Applicable) is in the piston column, then TXV is required. A blower time delay relay is standard on all Allied Air Enterprises furnaces and AH products.

* = B or L

B = Wire Guard

L = Louvered

COOLING PERFORMANCE WITH AIR HANDLERS AND FURNACES

Outdoor Model	Indoor Model		Cooling				Heating				CFM	
	Evaporator Coil or Air Handler ³	Furnaces	SEER	EER	ARI Rated Capacity ¹	Sensible Capacity	HSPF	47		17		
								Btuh	COP	Btuh		COP
4HP13*36P-7	E(C,H,M,U)1P30B	95G2UH070BV12	34600	24900	11.00	13.50	7.70	32800	3.40	18000	2.20	1275
	E(C,H,M,U)1P30B	80G2UH090BV16*	34600	24900	11.00	13.50	7.70	32800	3.40	18000	2.20	1275
	E(C,H,M,U)1P30B	95G2DF045BE12	34600	24900	11.00	13.50	7.70	32800	3.40	18000	2.20	1275
	E(C,H,M,U)1P30C	95G2DF090CE16	34600	24900	11.00	13.50	7.70	32800	3.40	18000	2.20	1275
	E(C,H,M,U)1P30C	95G2DF110CE20	34600	24900	11.00	13.50	7.70	32800	3.40	18000	2.20	1275
	E(C,H,M,U)1P30C	95G2UH090CE16	34600	24900	11.00	13.50	7.70	32800	3.40	18000	2.20	1275
	E(C,H,M,U)1P30C	95G2UH110CE20	34600	24900	11.00	13.50	7.70	32800	3.40	18000	2.20	1275
	E(C,H,M,U)1P30C	80G2UH110CV20*	34600	24900	11.00	13.50	7.70	32800	3.40	18000	2.20	1275
	E(C,H,M,U)1P30C	80G1DF110CE20	34600	24900	11.00	13.50	7.70	32800	3.40	18000	2.20	1275
	E(C,H,M,U)1P30C	80G1UH090CE20	34600	24900	11.00	13.50	7.70	32800	3.40	18000	2.20	1275
	E(C,H,M,U)1P30C	80G1UH110CE20	34600	24900	11.00	13.50	7.70	32800	3.40	18000	2.20	1275
	E(C,H,M,U)1P30C	95G1DF090CE16	34600	24900	11.00	13.50	7.70	32800	3.40	18000	2.20	1275
	E(C,H,M,U)1P30C	95G1DF110CE20	34600	24900	11.00	13.50	7.70	32800	3.40	18000	2.20	1275
	E(C,H,M,U)1P30C	95G1UH090CE16	34600	24900	11.00	13.50	7.70	32800	3.40	18000	2.20	1275
	E(C,H,M,U)1P30C	95G1UH110CE20	34600	24900	11.00	13.50	7.70	32800	3.40	18000	2.20	1275
	E(C,H,M,U)1P30C	95G2DF090CV20	34600	24900	11.00	14.00	7.70	32800	3.40	18000	2.20	1275
	E(C,H,M,U)1P30C	95G2DF110CV20	34600	24900	11.00	14.00	7.70	32800	3.40	18000	2.20	1275
	E(C,H,M,U)1P30C	95G2UH090CV12	34600	24900	11.00	14.00	7.70	32800	3.40	18000	2.20	1275
	E(C,H,M,U)1P30C	95G2UH090CV20	34600	24900	11.00	14.00	7.70	32800	3.40	18000	2.20	1275
	E(C,H,M,U)1P30C	95G2UH110CV20	34600	24900	11.00	14.00	7.70	32800	3.40	18000	2.20	1275
	E(C,H,M,U)1P36A	80G1DF045AE12	34600	24900	11.00	14.00	7.70	33000	3.40	18000	2.20	1275
	E(C,H,M,U)1P36B	80G1DF070BE12	34600	24900	11.00	14.00	7.70	33000	3.40	18000	2.20	1275
	E(C,H,M,U)1P36B	80G1DF090BE16	34600	24900	11.00	13.50	7.70	33000	3.40	18000	2.20	1275
	E(C,H,M,U)1P36B	80G1UH070BE12	34600	24900	11.00	14.00	7.70	33000	3.40	18000	2.20	1275
	E(C,H,M,U)1P36B	80G1UH090BE16	34600	24900	11.00	14.00	7.70	33000	3.40	18000	2.20	1275
	E(C,H,M,U)1P36B	95G1DF070BE16	34600	24900	11.00	13.50	7.70	33000	3.40	18000	2.20	1275
	E(C,H,M,U)1P36B	95G2DF045BV12	34600	24900	11.00	13.50	7.70	33000	3.40	18000	2.20	1275
	E(C,H,M,U)1P36B	95G2DF070BV16	34600	24900	11.00	13.50	7.70	33000	3.40	18000	2.20	1275
E(C,H,M,U)1P36B	95G2UH045BV12	34600	24900	11.00	13.50	7.70	33000	3.40	18000	2.20	1275	
E(C,H,M,U)1P36B	95G2UH070BV12	34600	24900	11.00	14.00	7.70	33000	3.40	18000	2.20	1275	

Note:

Certified in accordance with Unitary Air Conditioner Certification Program, which is based on AHRI Standard 210/240. Required to achieve AHRI rating. If NA (Not Applicable) is in the piston column, then TXV is required. A blower time delay relay is standard on all Allied Air Enterprises furnaces and AH products.

* = B or L

B = Wire Guard

L = Louvered

COOLING PERFORMANCE WITH AIR HANDLERS AND FURNACES

Outdoor Model	Indoor Model		Cooling				Heating				CFM	
	Evaporator Coil or Air Handler ³	Furnaces	SEER	EER	ARI Rated Capacity ¹	Sensible Capacity	HSPF	47		17		
								Btuh	COP	Btuh		COP
4HP13*36P-7	E(C,H,M,U)1P36B	80G2UH090BV16*	34600	24900	11.00	13.50	7.70	33000	3.40	18000	2.20	1275
	E(C,H,M,U)1P36B	95G2DF045BE12	34600	24900	11.00	13.50	7.70	33000	3.40	18000	2.20	1275
	E(C,H,M,U)1P36C	95G2DF090CE16	34600	24900	11.00	13.50	7.70	33000	3.40	18000	2.20	1275
	E(C,H,M,U)1P36C	95G2DF110CE20	34600	24900	11.00	13.50	7.70	33000	3.40	18000	2.20	1275
	E(C,H,M,U)1P36C	95G2UH090CE16	34600	24900	11.00	14.00	7.70	33000	3.40	18000	2.20	1275
	E(C,H,M,U)1P36C	95G2UH110CE20	34600	24900	11.00	13.50	7.70	33000	3.40	18000	2.20	1275
	E(C,H,M,U)1P36C	80G2UH110CV20*	34600	24900	11.00	14.00	7.70	33000	3.40	18000	2.20	1275
	E(C,H,M,U)1P36C	80G1DF110CE20	34600	24900	11.00	14.00	7.70	33000	3.40	18000	2.20	1275
	E(C,H,M,U)1P36C	80G1UH090CE20	34600	24900	11.00	14.00	7.70	33000	3.40	18000	2.20	1275
	E(C,H,M,U)1P36C	80G1UH110CE20	34600	24900	11.00	14.00	7.70	33000	3.40	18000	2.20	1275
	E(C,H,M,U)1P36C	95G1DF090CE16	34600	24900	11.00	14.00	7.70	33000	3.40	18000	2.20	1275
	E(C,H,M,U)1P36C	95G1DF110CE20	34600	24900	11.00	13.50	7.70	33000	3.40	18000	2.20	1275
	E(C,H,M,U)1P36C	95G1UH090CE16	34600	24900	11.00	14.00	7.70	33000	3.40	18000	2.20	1275
	E(C,H,M,U)1P36C	95G1UH110CE20	34600	24900	11.00	13.50	7.70	33000	3.40	18000	2.20	1275
	E(C,H,M,U)1P36C	95G2DF090CV20	34600	24900	11.00	14.00	7.70	33000	3.40	18000	2.20	1275
	E(C,H,M,U)1P36C	95G2DF110CV20	34600	24900	11.00	14.00	7.70	33000	3.40	18000	2.20	1275
	E(C,H,M,U)1P36C	95G2UH090CV12	34600	24900	11.00	14.00	7.70	33000	3.40	18000	2.20	1275
	E(C,H,M,U)1P36C	95G2UH090CV20	34600	24900	11.00	14.00	7.70	33000	3.40	18000	2.20	1275
	E(C,H,M,U)1P36C	95G2UH110CV20	34600	24900	11.00	14.00	7.70	33000	3.40	18000	2.20	1275
E*1P30B+H4TXV01	EFV12BC	35000	24900	11.00	14.00	7.70	33000	3.40	18000	2.20	1275	
E*1P36B+H4TXV02	EFV12BC	35000	24900	11.00	14.00	7.70	33000	3.40	18000	2.20	1275	
4HP13*42P-7	BCE3M42C****P		40500	29200	11.00	13.00	7.70	39000	3.50	25000	2.20	1400
	BCS2M42V****P		40500	29200	11.00	13.00	7.70	39000	3.50	25000	2.20	1400
	BCS3M42C****P		40500	29200	11.00	13.00	7.70	39000	3.50	25000	2.20	1400
	BCS3M42E****P		40500	29200	11.00	14.00	7.70	39000	3.50	25000	2.20	1400
	E(C,H,M,U)1P36B+TXV	80G1UH090BE16	40500	29200	11.00	13.50	7.70	39000	3.50	25000	2.20	1400
	E(C,H,M,U)1P36C+TXV	80G1DF110CE20	40500	29200	11.00	13.50	7.70	39000	3.50	25000	2.20	1400
	E(C,H,M,U)1P36C+TXV	80G1UH090CE20	40500	29200	11.00	13.50	7.70	39000	3.50	25000	2.20	1400
	E(C,H,M,U)1P36C+TXV	80G1UH110CE20	40500	29200	11.00	13.50	7.70	39000	3.50	25000	2.20	1400

Note:

Certified in accordance with Unitary Air Conditioner Certification Program, which is based on AHRI Standard 210/240. Required to achieve AHRI rating. If NA (Not Applicable) is in the piston column, then TXV is required. A blower time delay relay is standard on all Allied Air Enterprises furnaces and AH products.

* = B or L

B = Wire Guard

L = Louvered

COOLING PERFORMANCE WITH AIR HANDLERS AND FURNACES

Outdoor Model	Indoor Model		Cooling				Heating				CFM	
	Evaporator Coil or Air Handler ²	Furnaces	SEER	EER	ARI Rated Capacity ¹	Sensible Capacity	HSPF	47		17		
								Btuh	COP	Btuh		COP
4HP13*36P-7	E(C,H,M,U)1P36C+TXV	95G1DF110CE20	40500	29200	11.00	13.50	7.70	39000	3.50	25000	2.20	1400
	E(C,H,M,U)1P36C+TXV	95G1UH110CE20	40500	29200	11.00	13.50	7.70	39000	3.50	25000	2.20	1400
	E(C,H,M,U)1P36C+TXV	95G2DF090CV20	40500	29200	11.00	13.50	7.70	39000	3.50	25000	2.20	1400
	E(C,H,M,U)1P36C+TXV	95G2DF110CV20	40500	29200	11.00	13.50	7.70	39000	3.50	25000	2.20	1400
	E(C,H,M,U)1P36C+TXV	95G2UH090CV20	40500	29200	11.00	13.50	7.70	39000	3.50	25000	2.20	1400
	E(C,H,M,U)1P36C+TXV	95G2UH110CV20	40500	29200	11.00	13.50	7.70	39000	3.50	25000	2.20	1400
	E(C,H,M,U)1P36C+TXV	95G2DF090CE16	40500	29200	11.00	13.50	7.70	39000	3.50	25000	2.20	1350
	E(C,H,M,U)1P36C+TXV	95G2DF110CE20	40500	29200	11.00	13.50	7.70	39000	3.50	25000	2.20	1400
	E(C,H,M,U)1P36C+TXV	95G2UH090CE16	40500	29200	11.00	13.50	7.70	39000	3.50	25000	2.20	1350
	E(C,H,M,U)1P36C+TXV	95G2UH110CE20	40500	29200	11.00	13.50	7.70	39000	3.50	25000	2.20	1400
	E(C,H,M,U)1P43B+TXV	80G1UH090BE16	40500	29200	11.00	13.50	7.70	39000	3.50	25000	2.20	1400
	E(C,H,M,U)1P43C+TXV	95G1DF110CE20	40500	29200	11.00	13.50	7.70	39000	3.50	25000	2.20	1400
	E(C,H,M,U)1P43C+TXV	95G1UH110CE20	40500	29200	11.00	13.50	7.70	39000	3.50	25000	2.20	1400
	E(C,H,M,U)1P43C+TXV	95G2DF110CV20	40500	29200	11.00	13.50	7.70	39000	3.50	25000	2.20	1400
	E(C,H,M,U)1P43C+TXV	95G2UH090CV20	40500	29200	11.00	13.50	7.70	39000	3.50	25000	2.20	1400
	E(C,H,M,U)1P43C+TXV	95G2UH110CV20	40500	29200	11.00	13.50	7.70	39000	3.50	25000	2.20	1400
	E(C,H,M,U)1P43C+TXV	95G2DF090CE16	40500	29200	11.00	13.50	7.70	39000	3.50	25000	2.20	1400
	E(C,H,M,U)1P43C+TXV	95G2DF110CE20	40500	29200	11.00	13.50	7.70	39000	3.50	25000	2.20	1400
E(C,H,M,U)1P43C+TXV	95G2UH090CE16	40500	29200	11.00	13.50	7.70	39000	3.50	25000	2.20	1400	
E(C,H,M,U)1P43C+TXV	95G2UH110CE20	40500	29200	11.00	13.50	7.70	39000	3.50	25000	2.20	1400	
4HP13*48P-7	BCE3M48C****P		48000	34500	11.00	13.00	7.70	44500	3.20	28000	2.40	1600
	BCS2M48V****P		48000	34500	11.00	14.00	7.70	44500	3.20	28000	2.40	1600
	BCS3M48C****P		48000	34500	11.00	13.00	7.70	44500	3.20	28000	2.40	1600
	BCS3M48E****P		48000	34500	11.00	14.00	7.70	44500	3.20	28000	2.40	1600
4HP13*60P-7	BCE3M60C****P+TXV		57000	40500	11.00	13.00	7.70	55000	3.30	34000	2.30	1850
	BCS2M60V****P+TXV		57000	40500	11.00	13.00	7.70	54000	3.30	34000	2.30	1850
	BCS3M60C****P+TXV		57000	40500	11.00	13.00	7.70	55000	3.30	34000	2.30	1850
	BCS3M60E****P+H4TXV02		57000	40500	11.00	14.00	7.70	55000	3.30	34000	2.30	1850

Note:

Certified in accordance with Unitary Air Conditioner Certification Program, which is based on AHRI Standard 210/240. Required to achieve AHRI rating. If NA (Not Applicable) is in the piston column, then TXV is required. A blower time delay relay is standard on all Allied Air Enterprises furnaces and AH products.

* = B or L

B = Wire Guard

L = Louvered

COOLING PERFORMANCE EXTENDED RATINGS

Outdoor Model	Indoor Model	Indoor Temp DB/WB °F	Outdoor Temp - DB°F														
			65°			82°			95°			105°			115°		
			Btuh	S/T	kW	Btuh	S/T	kW	Btuh	S/T	kW	Btuh	S/T	kW	Btuh	S/T	kW
4HP13*18P-7	BCS*M18C****P	85/72	22,900	0.62	1.23	21,200	0.64	1.46	19,900	0.65	1.64	18,700	0.67	1.85	17,400	0.68	2.10
		80/67	20,800	0.69	1.23	19,200	0.70	1.48	18,000	0.71	1.67	16,600	0.74	1.62	15,100	0.77	2.10
		75/63	18,800	0.72	1.23	17,300	0.74	1.47	16,100	0.75	1.65	15,100	0.78	1.87	14,000	0.80	2.08
		75/57	16,600	1.00	1.22	15,400	1.00	1.46	14,400	1.00	1.65	13,500	1.00	1.86	12,600	1.00	2.08
4HP13*24P-7	BCS*M24C****P	85/72	26,300	0.58	1.56	25,900	0.62	1.86	25,600	0.65	2.08	24,000	0.68	2.32	22,500	0.71	2.55
		80/67	25,600	0.66	1.56	24,100	0.70	1.86	23,000	0.73	2.08	21,400	0.74	2.31	19,900	0.75	2.53
		75/63	24,500	0.70	1.56	22,900	0.75	1.84	21,700	0.78	2.06	19,900	0.81	2.28	18,200	0.84	2.50
		75/57	21,500	1.00	1.55	19,900	1.00	1.83	18,700	1.00	2.05	17,400	1.00	2.28	16,200	1.00	2.50
4HP13*30P-7	BCS*M30C****P	85/72	34,600	0.60	2.18	33,100	0.63	2.47	32,000	0.66	2.69	30,100	0.68	2.98	28,400	0.70	3.26
		80/67	33,000	0.66	1.98	30,700	0.71	2.32	29,000	0.74	2.59	27,200	0.76	2.91	25,500	0.78	3.23
		75/63	31,000	0.70	1.97	28,800	0.73	2.30	27,200	0.76	2.55	25,000	0.79	2.88	22,900	0.82	3.22
		75/57	26,200	1.00	1.95	24,300	1.00	2.29	23,000	1.00	2.54	21,900	1.00	2.88	21,000	1.00	3.21
4HP13*36P-7	BCS*M36C****P	85/72	40,900	0.61	2.45	39,700	0.67	2.90	38,700	0.71	3.24	36,900	0.70	3.63	35,000	0.69	4.03
		80/67	39,400	0.67	2.42	36,900	0.70	2.81	35,000	0.72	3.11	33,200	0.75	3.52	31,400	0.77	3.93
		75/63	37,200	0.71	2.40	35,100	0.73	2.85	33,400	0.75	3.20	31,400	0.77	3.51	29,400	0.79	3.83
		75/57	32,900	1.00	2.33	31,000	1.00	2.78	29,600	1.00	3.13	27,800	1.00	3.46	26,000	1.00	3.79
4HP13*42P-7	BCS*M42C****P	85/72	48,400	0.60	2.70	46,900	0.63	3.23	45,700	0.65	3.63	43,000	0.68	4.05	40,200	0.70	4.48
		80/67	46,600	0.66	2.69	43,400	0.69	3.22	41,000	0.72	3.62	38,500	0.76	4.02	35,900	0.79	4.42
		75/63	44,200	0.70	2.69	40,900	0.73	3.20	38,400	0.76	3.59	35,700	0.79	3.97	32,800	0.82	4.35
		75/57	38,200	1.00	2.67	35,600	1.00	3.19	33,600	1.00	3.59	31,200	1.00	3.96	28,700	1.00	4.32
4HP13*48P-7	BCS*M48C****P	85/72	55,600	0.62	3.18	53,900	0.64	3.81	52,700	0.66	4.29	49,500	0.69	4.79	46,200	0.71	5.29
		80/67	52,700	0.69	3.14	50,000	0.71	3.75	48,000	0.72	4.23	44,900	0.74	4.71	41,800	0.75	5.19
		75/63	49,800	0.72	3.10	46,700	0.75	3.70	44,400	0.77	4.15	40,800	0.81	4.65	37,200	0.84	5.14
		75/57	43,700	1.00	3.08	40,500	1.00	3.66	38,200	1.00	4.10	35,800	1.00	4.60	33,400	1.00	5.10
4HP13*60P-7	BCS*M60C****P	85/72	72,700	0.59	4.22	67,400	0.62	4.97	63,500	0.64	5.55	59,800	0.66	6.20	56,200	0.67	6.86
		80/67	66,400	0.68	4.12	61,600	0.70	4.81	58,000	0.71	5.35	54,500	0.74	6.06	51,100	0.76	6.77
		75/63	62,300	0.70	4.09	57,100	0.73	4.79	53,100	0.75	5.32	49,900	0.77	6.02	46,800	0.79	6.72
		75/57	52,700	1.00	4.03	48,600	1.00	4.75	45,400	1.00	5.30	42,900	1.00	6.00	40,500	1.00	6.69

Note:
 Extended data shown is actual for models listed and typical for all AHRI matches.

* = B or L
 B = Wire Guard L = Louvered

HEATING PERFORMANCE EXTENDED RATINGS

Outdoor Model	Indoor Model	Outdoor Temp. DB/WBoF									
		0/0		17/15		35/33		47/43		62/56	
		Btuh	kW	Btuh	kW	Btuh	kW	Btuh	kW	Btuh	kW
4HP13*18P-7	BCS*M18C****P	6800	1.41	10000	1.46	13000	1.51	17000	1.56	20500	1.61
4HP13*24P-7	BCS*M24C****P	10900	1.70	13000	1.73	17000	1.84	21600	1.92	25500	1.99
4HP13*30P-7	BCS*M30C****P	14500	2.00	17000	2.10	19000	2.26	27000	2.33	32300	2.38
4HP13*36P-7	BCS*M36C****P	13400	2.34	18000	2.40	23000	2.50	33800	2.91	40200	3.01
4HP13*42P-7	BCS*M42C****P	21400	3.10	25000	3.15	29000	3.33	40000	3.35	47500	3.44
4HP13*48P-7	BCS*M48C****P	24900	3.23	28000	3.42	34000	4.11	45000	4.12	53000	4.34
4HP13*60P-7	BCS*M60C****P	29500	4.21	34000	4.33	36000	4.67	55000	4.88	64200	5.10

Note:
Extended data shown is actual for models listed and typical for all AHRI matches.

* = B or L
B = Wire Guard L = Louvered

ACCESSORIES

DESCRIPTION	WHERE USED	KIT NUMBER
Crankcase Heater	All models	93M04
Low Ambient Kit	All models	34M72
Sound Blanket	18, 24, 30, 36	14W00
	42, 48, 60	14W01
Short Cycle Protector	All models	47J27 (factory Installed)
Freezestat	3/8 tubing	93G35
Time Delay Relay	All models	58M81 (factory Installed)
Loss of Charge Kit	All models	84M23 (factory Installed)
Hard Start Kit	18	10J42
	24, 30, 36, 42, 48, 60	88M91



1-800-448-5872

All specifications and illustrations subject to change without notice and without incurring obligations.